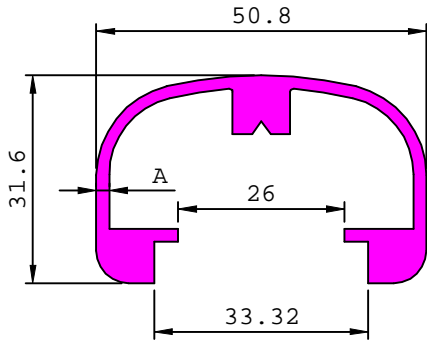
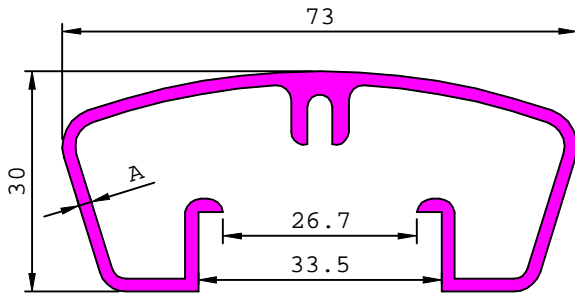


## HAND RAILS

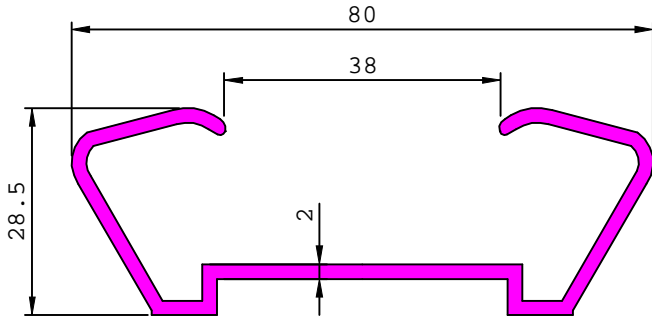


SL. No.	Section No.	A	Weight kg/m
1	<b>19224</b>	1.34	0.855
2	<b>19223</b>	1.92	0.975
3	<b>19206</b>	3.00	1.210

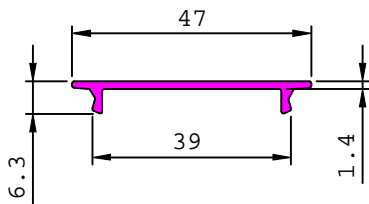


SL. No.	Section No.	A	Weight kg/m
1	<b>19226</b>	1.20	0.684
2	<b>19225</b>	1.65	0.854
3	<b>19207</b>	2.50	1.281

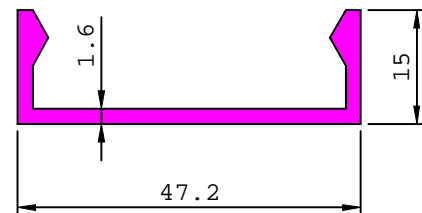
19204 0.851 kg/m



19205 0.221 kg/m



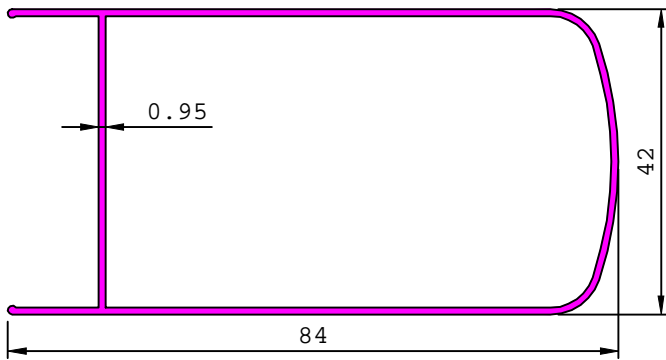
19209 0.364 kg/m



## HAND RAILS

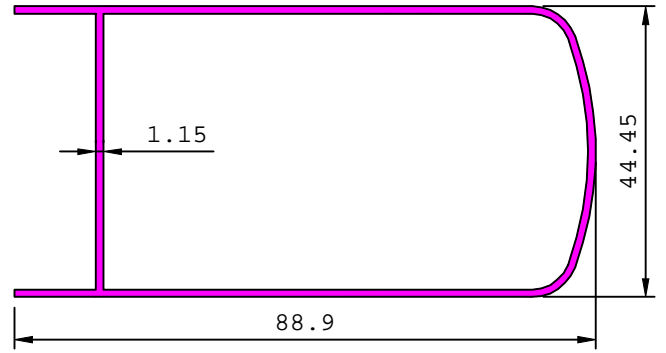
19221

0.612 kg/m



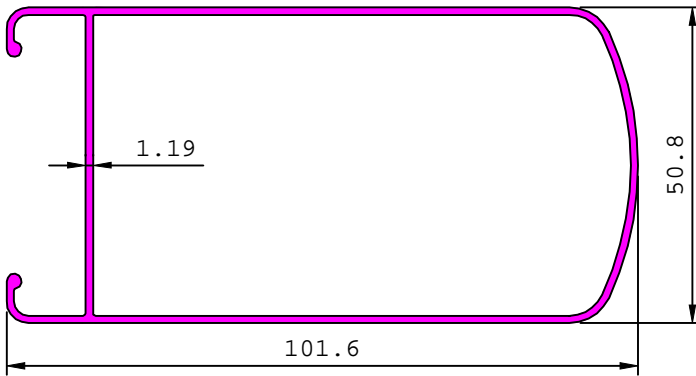
19217

0.765 kg/m



19222

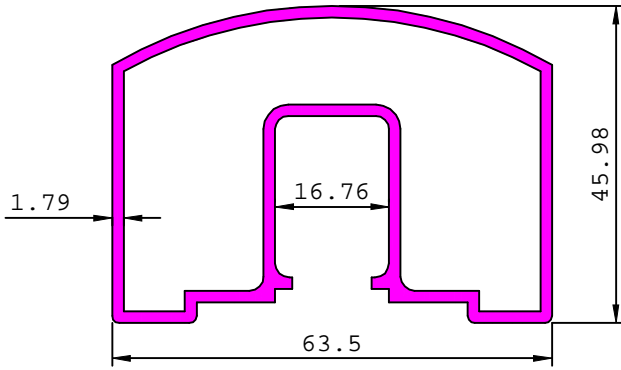
0.970 kg/m



## HAND RAILS

19233

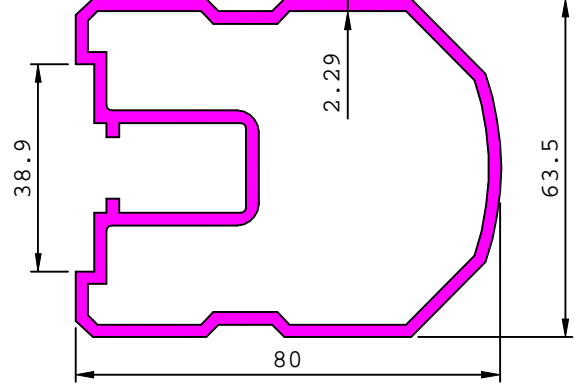
1.268 kg/m



MATCHING WITH 19236

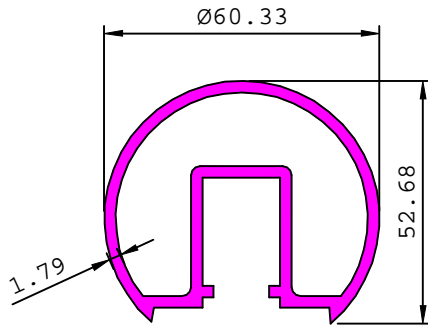
19228

2.014 kg/m



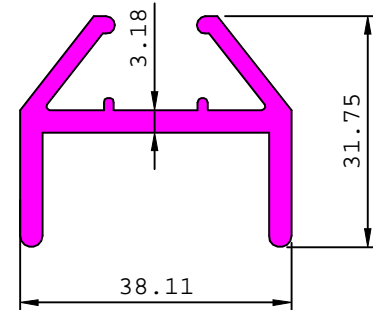
19234

1.191 kg/m



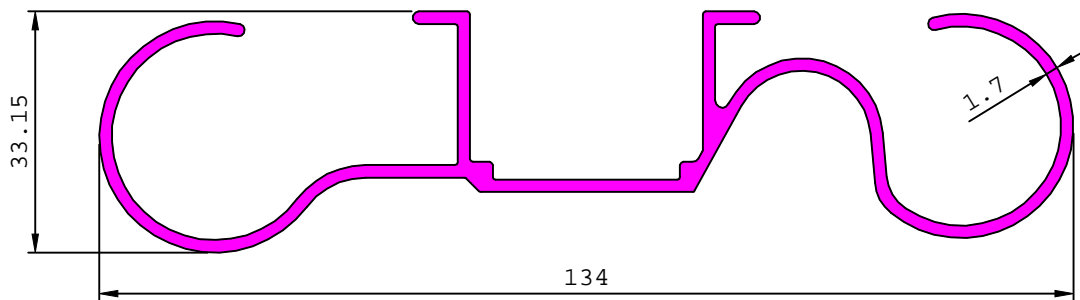
19235

0.819 kg/m



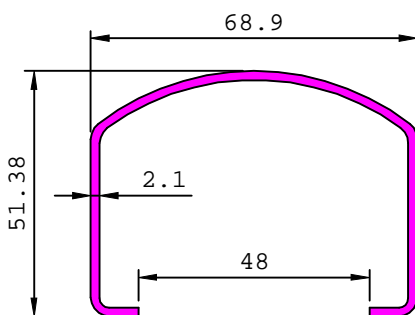
19243

1.327 kg/m



19236

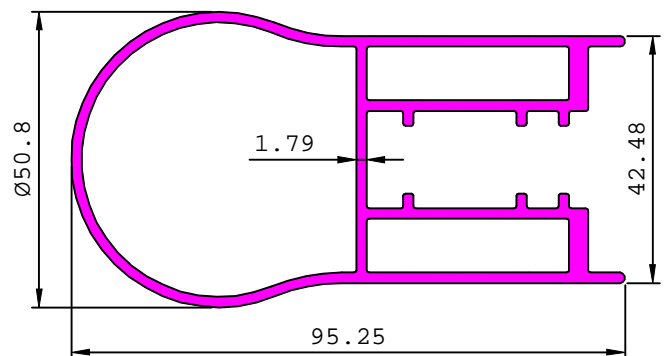
0.926 kg/m



MATCHING WITH 19233

19240

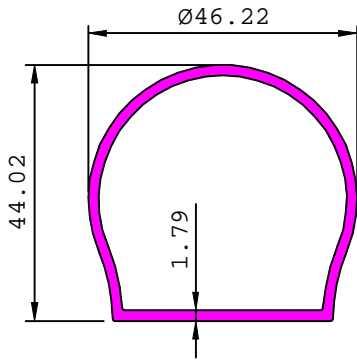
1.847 kg/m



## HAND RAILS

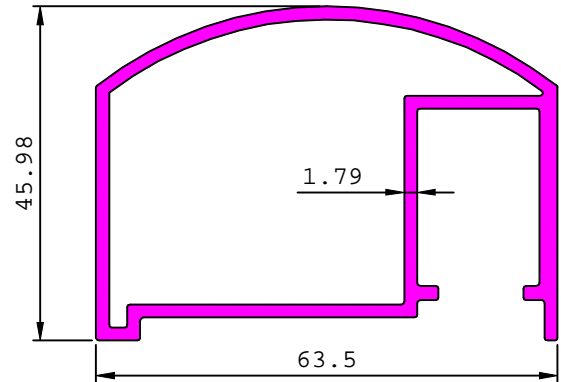
19241

0.711 kg/m



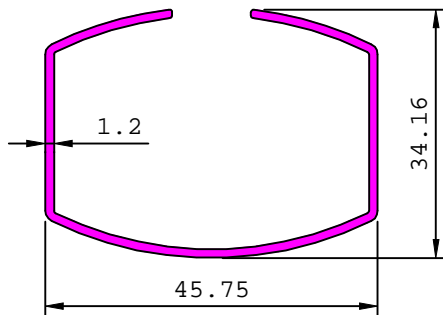
19242

1.179 kg/m



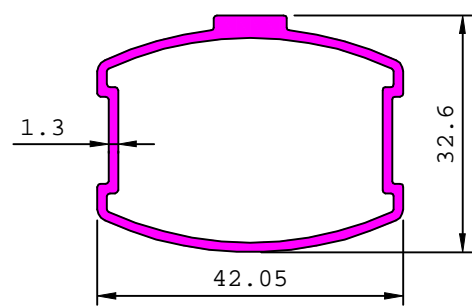
19245

0.409 kg/m



19246

0.509 kg/m

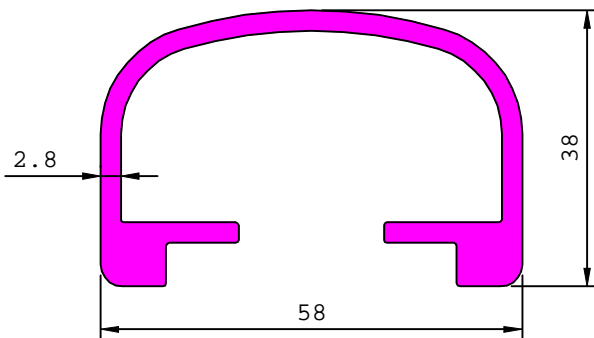


MATCHING WITH 19246

MATCHING WITH 19245

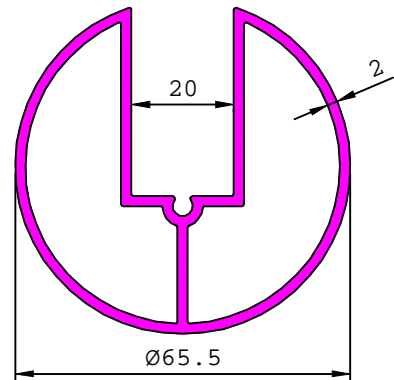
19244

1.290 kg/m



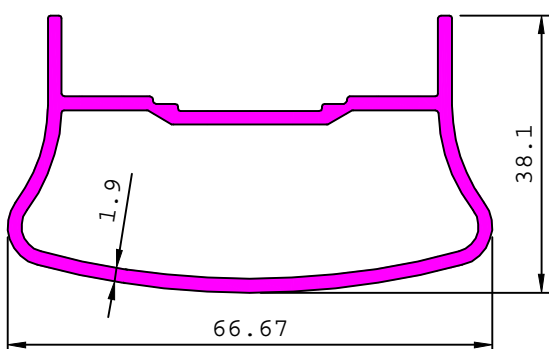
15276

1.604 kg/m



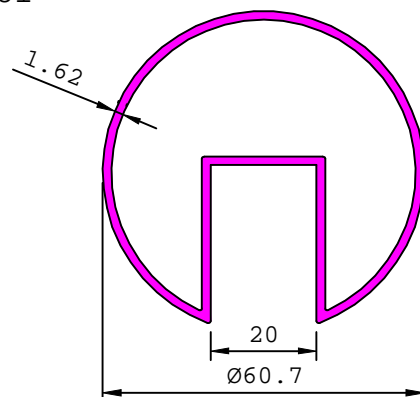
19247

0.946 kg/m



22981

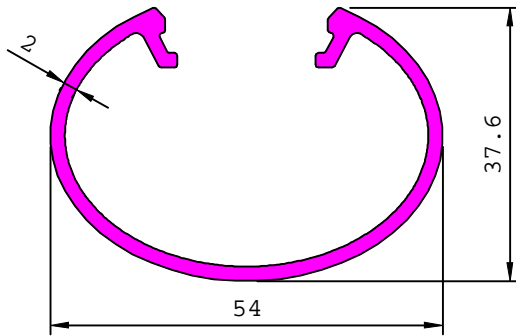
1.069 kg/m



## HAND RAILS

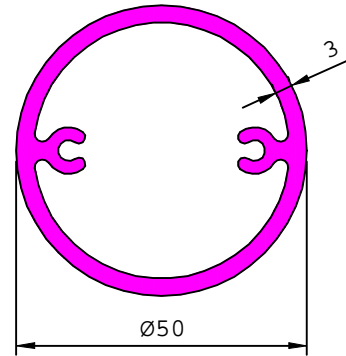
19248

0.727 kg/m



19249

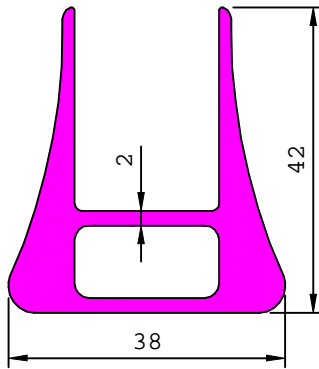
1.410 kg/m



**MATCHING WITH 41525**

S6194

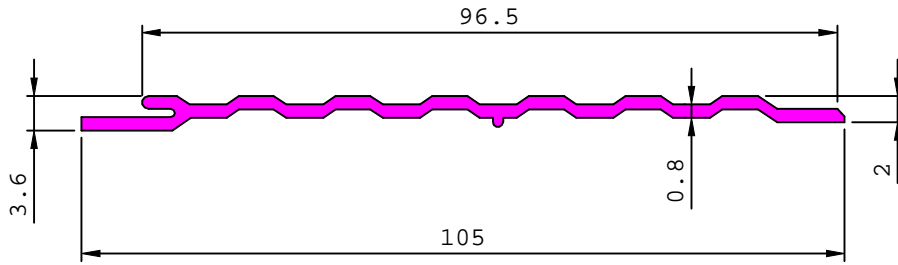
1.215 kg/m



WALL FACINGS

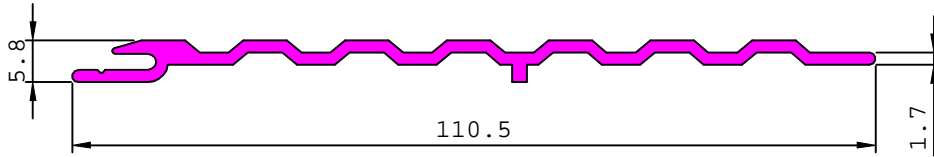
19304

0.303 kg/m



19305

0.607 kg/m



19306

3.748 kg/m

