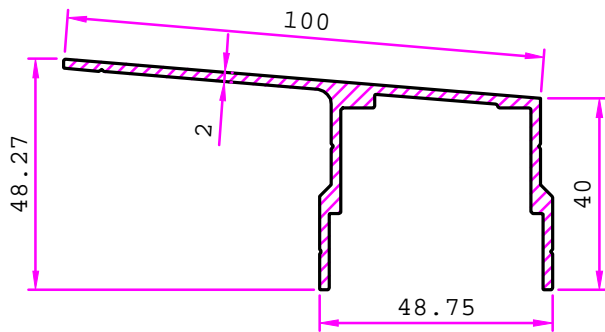
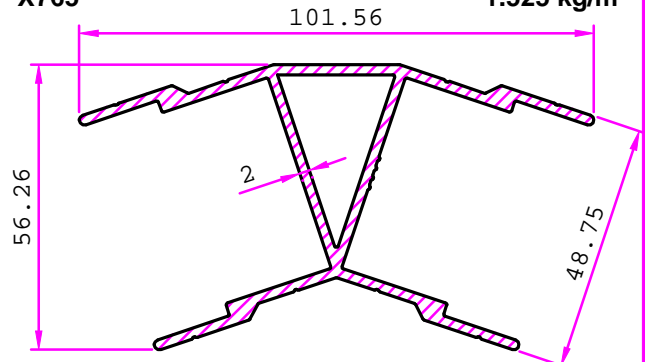


X645 **1.104 kg/m**



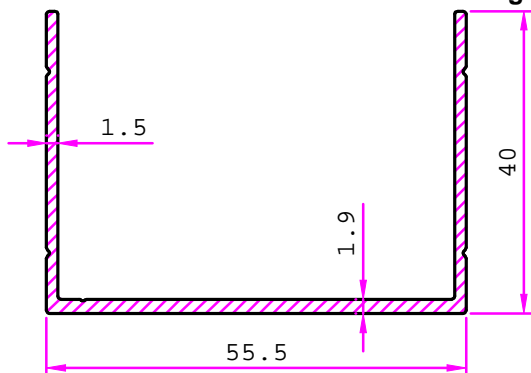
ROOF WALL JOINT

X765 **1.525 kg/m**



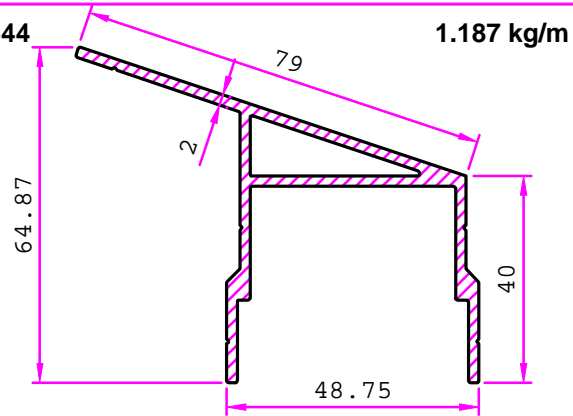
ROOF CHANNEL SECTION

X776 **0.590 kg/m**



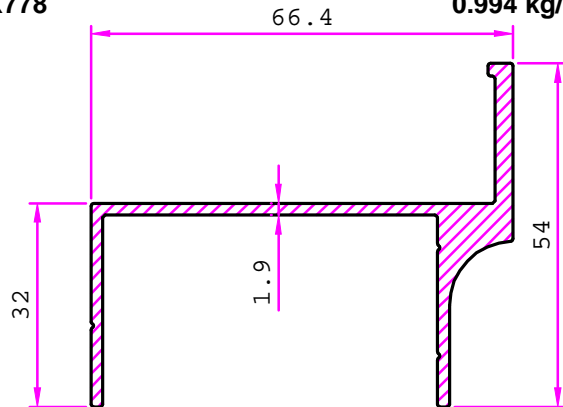
MISC. CHANNEL SECTION

X644 **1.187 kg/m**



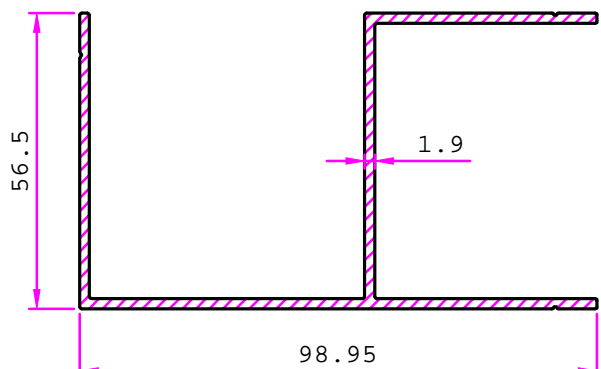
ROOF WALL JOINT

X778 **0.994 kg/m**



DOOR SECTION

X777 **1.195 kg/m**



MISCELLANEOUS SECTION