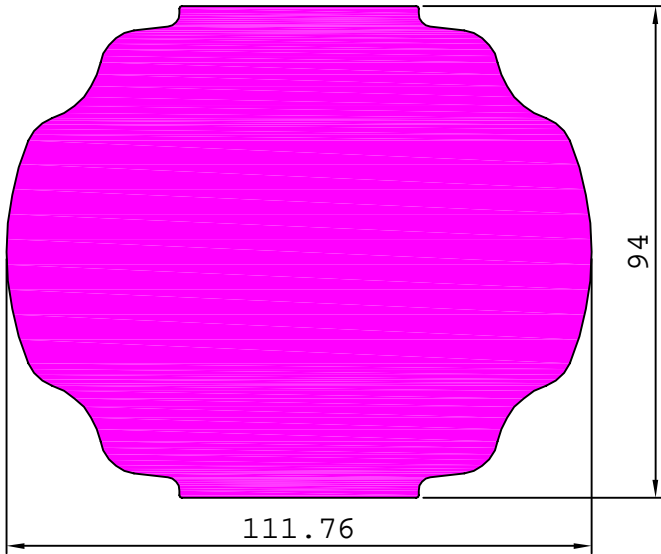


PUMP BODY AND ACTUATOR BODY

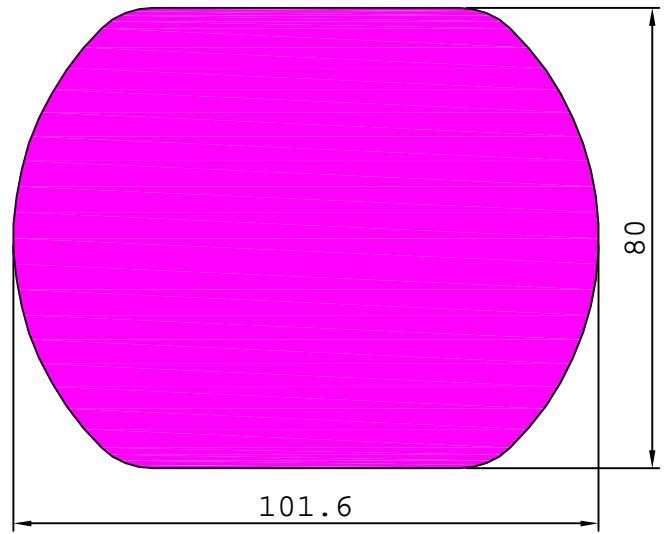
27001

23.131 kg/m



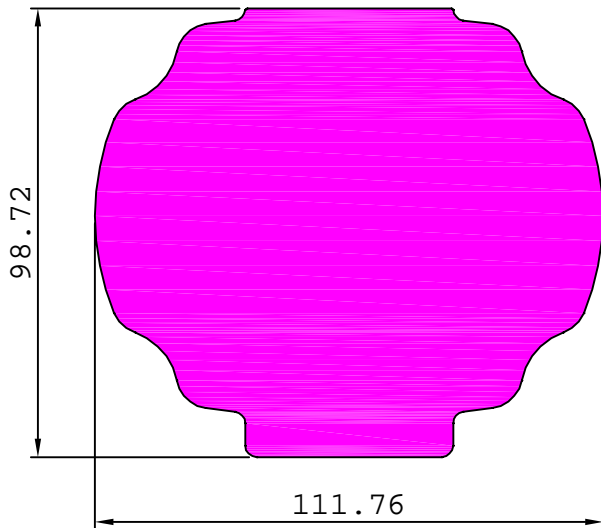
27002

19.367 kg/m



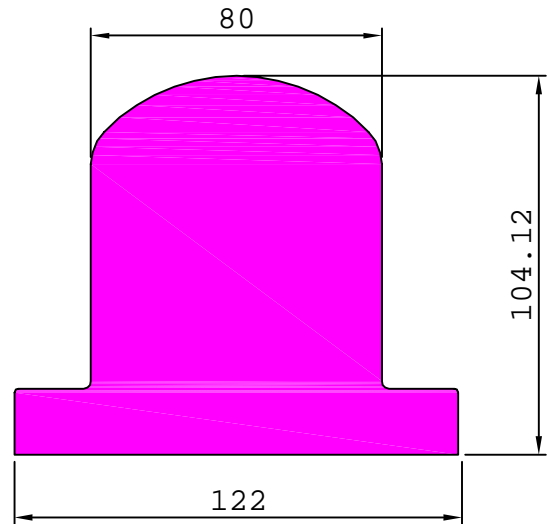
27003

23.703 kg/m



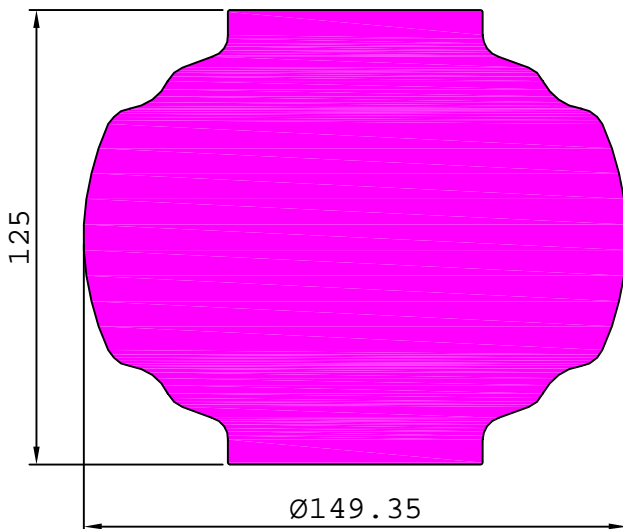
27004

23.258 kg/m



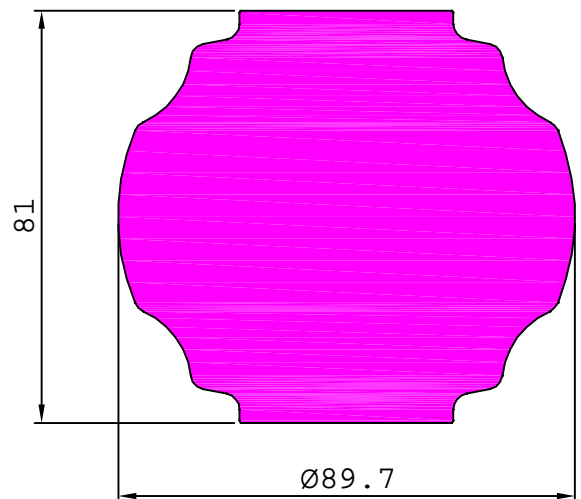
27005

40.237 kg/m



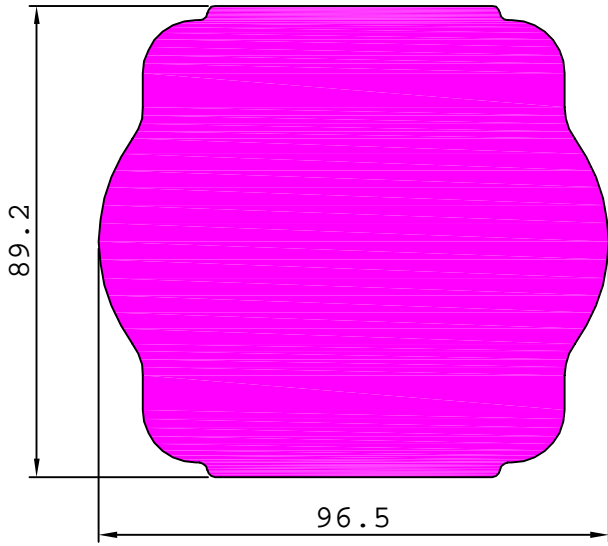
27006

15.738 kg/m

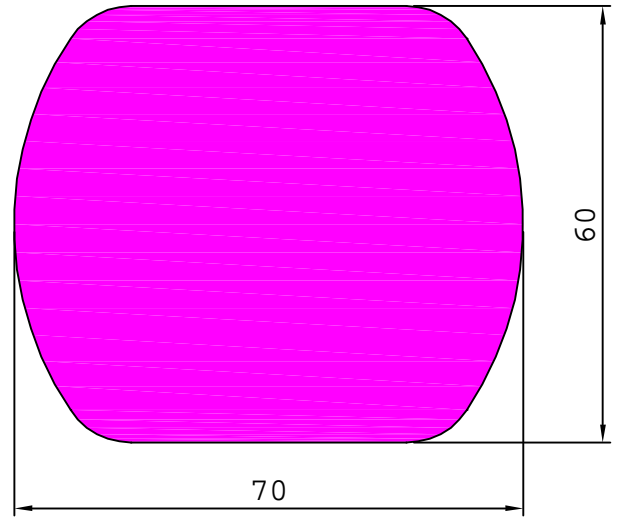


PUMP BODY AND ACTUATOR BODY

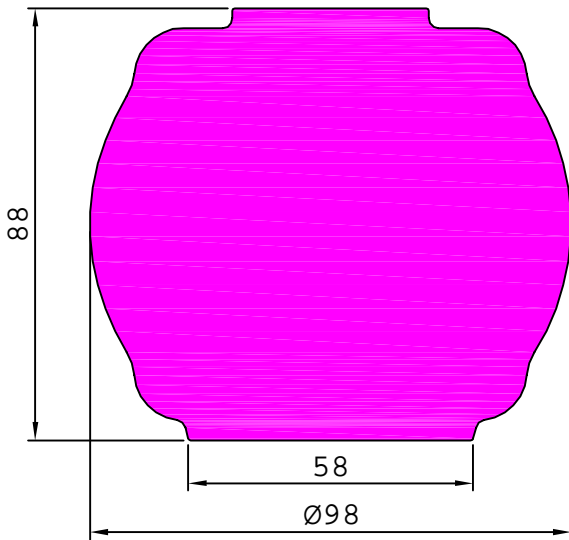
27007 20.000 kg/m



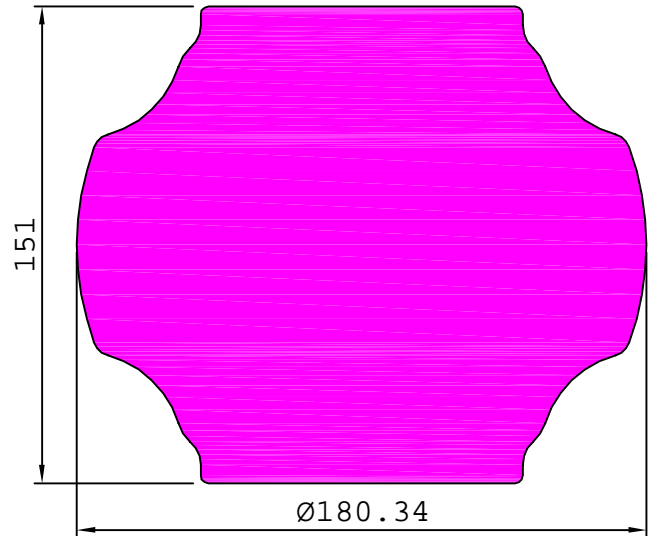
27009 10.162 kg/m



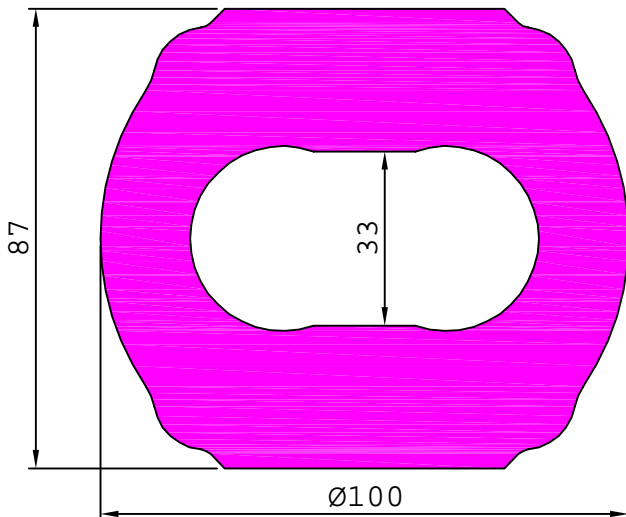
27012 20.000 kg/m



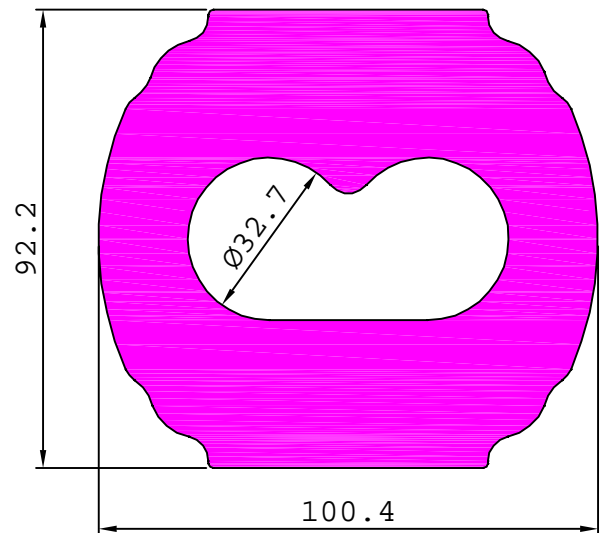
27013 59.222 kg/m



27014 14.927 kg/m



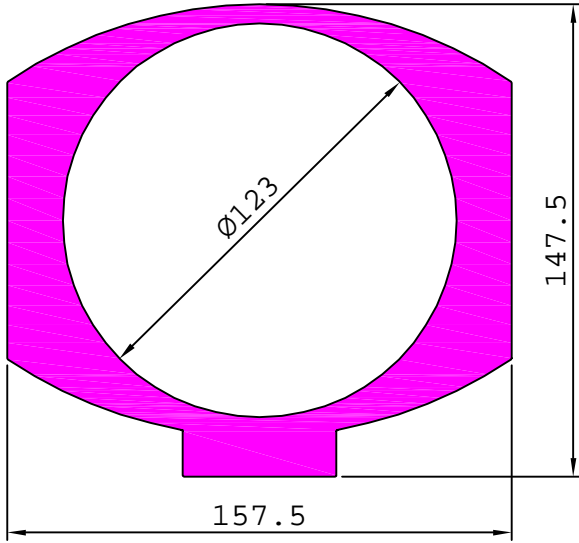
27016 16.635 kg/m



PUMP BODY AND ACTUATOR BODY

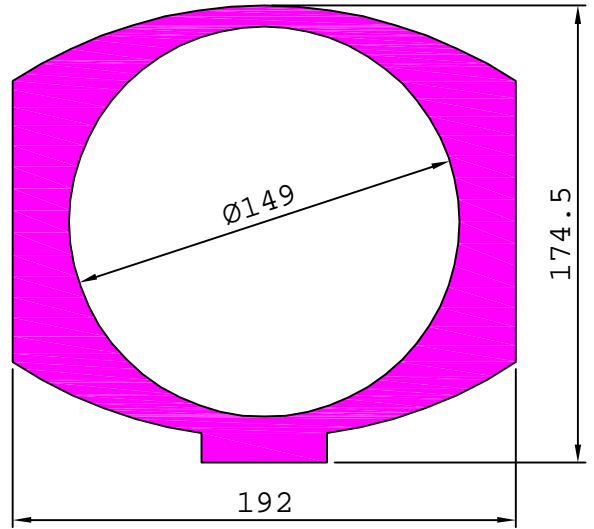
27017

20.418 kg/m



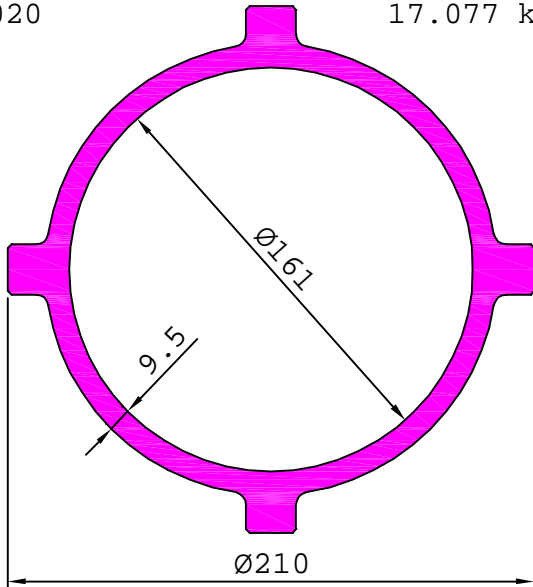
27018

30.136 kg/m



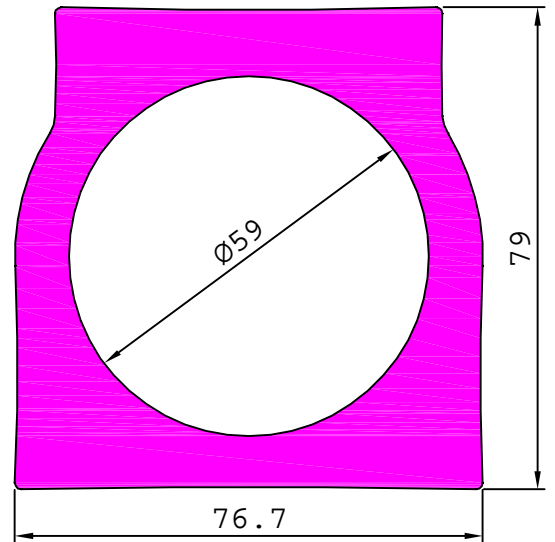
27020

17.077 kg/m



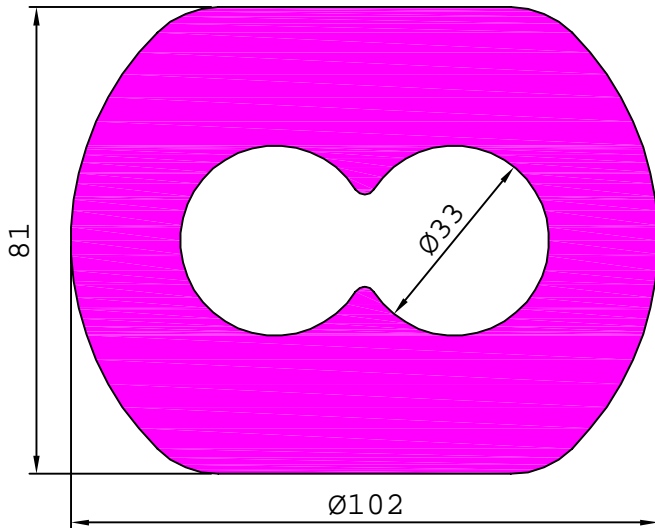
27022

7.885 kg/m



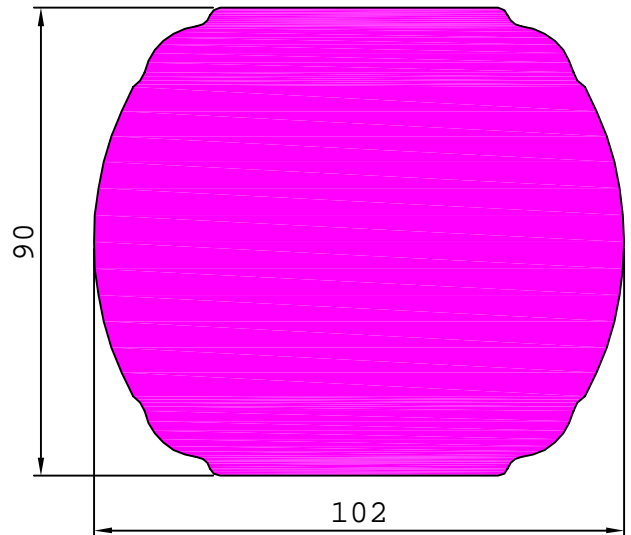
27024

15.030 kg/m



27028

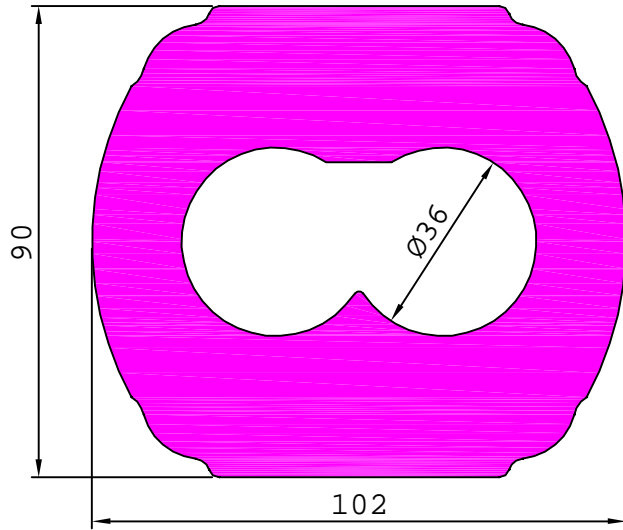
21.660 kg/m



PUMP BODY AND ACTUATOR BODY

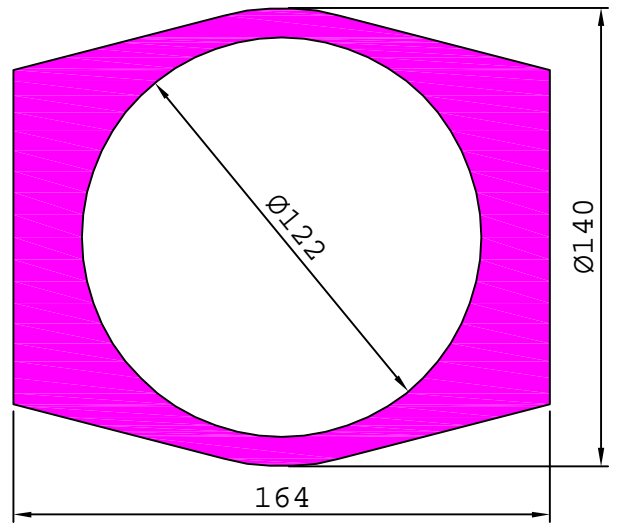
27029

16.201 kg/m



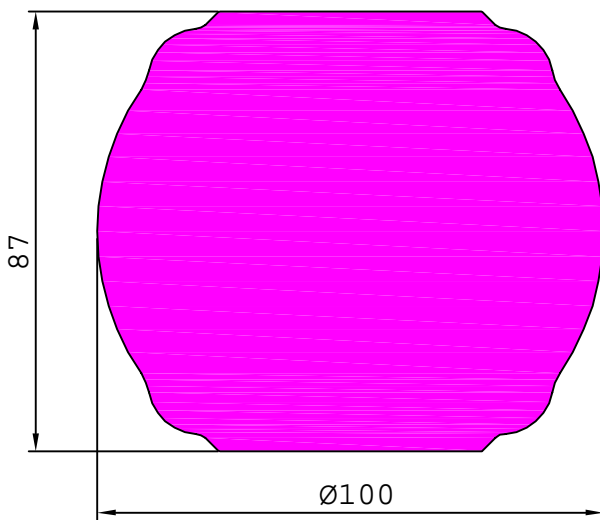
27035

22.898 kg/m



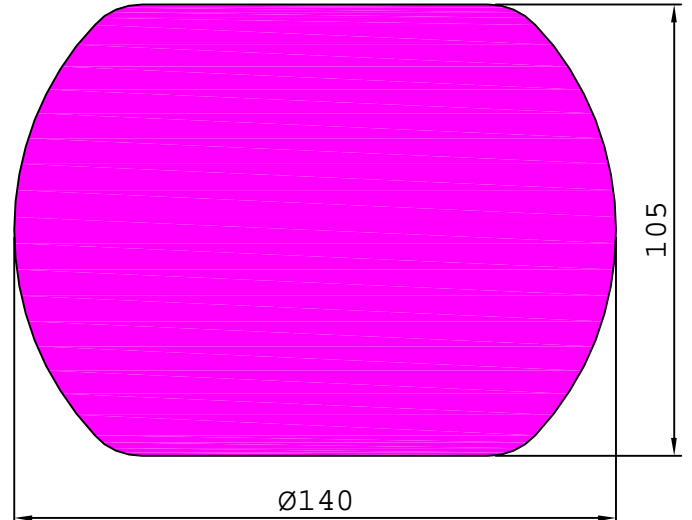
27036

20.311 kg/m



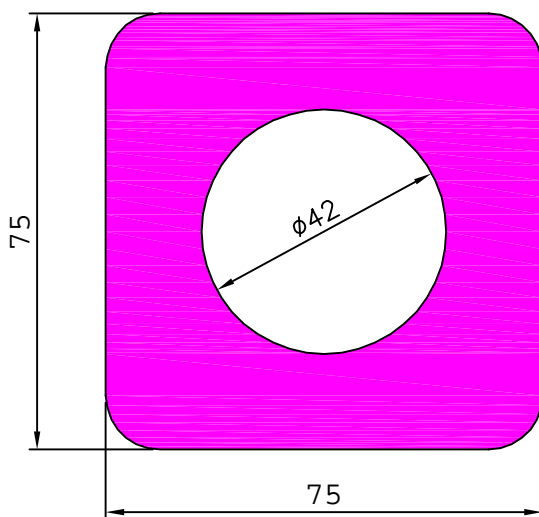
27037

35.514 kg/m



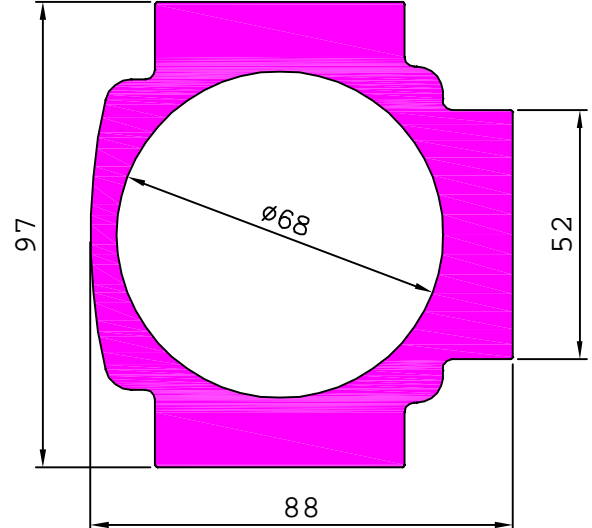
27041

11.246 kg/m



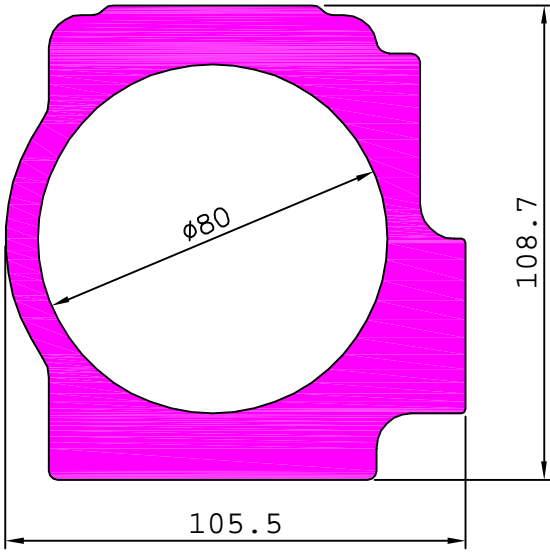
27045

9.431 kg/m

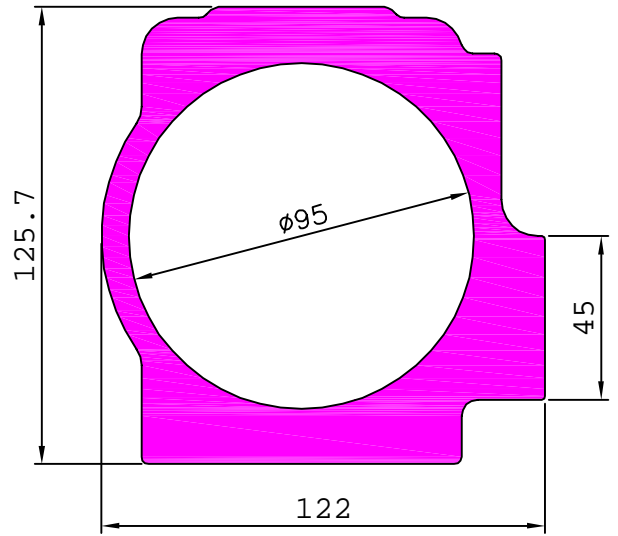


PUMP BODY AND ACTUATOR BODY

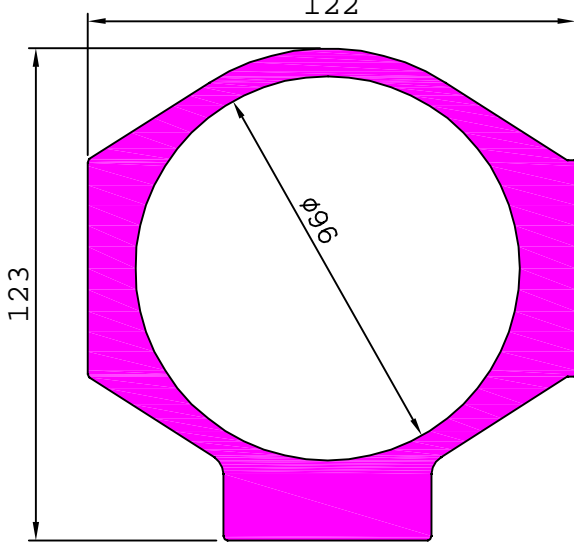
27046 12.740 kg/m



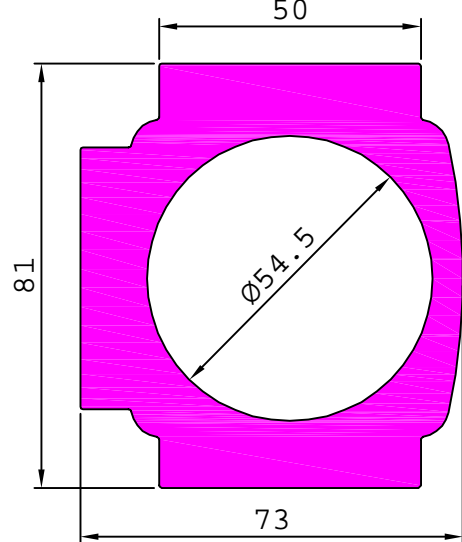
27047 16.016 kg/m



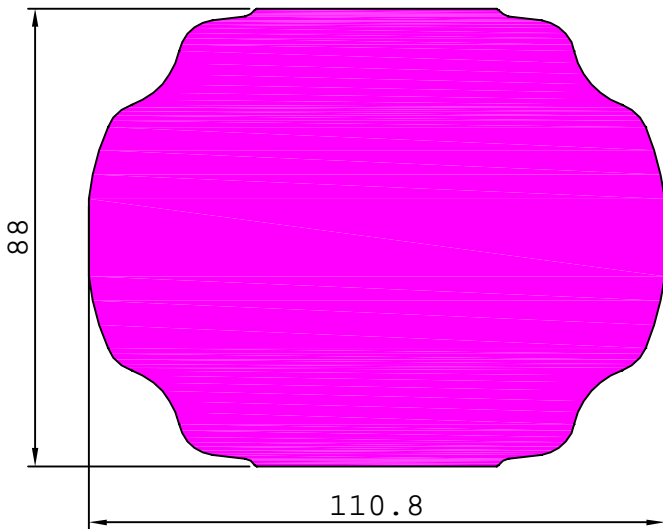
27052 11.612 kg/m



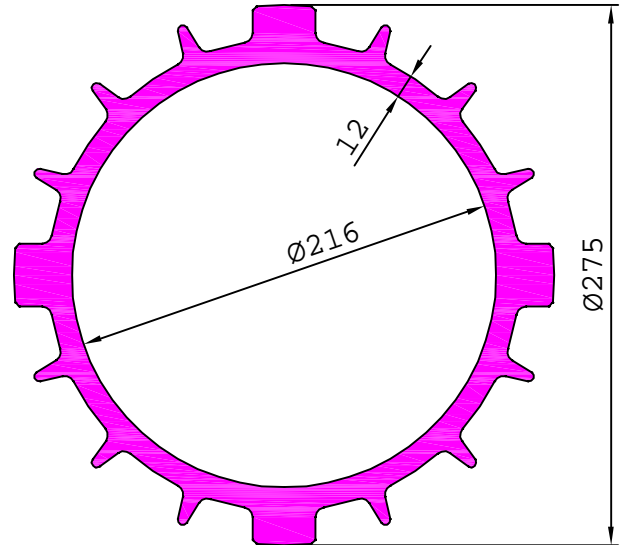
27053 7.856 kg/m



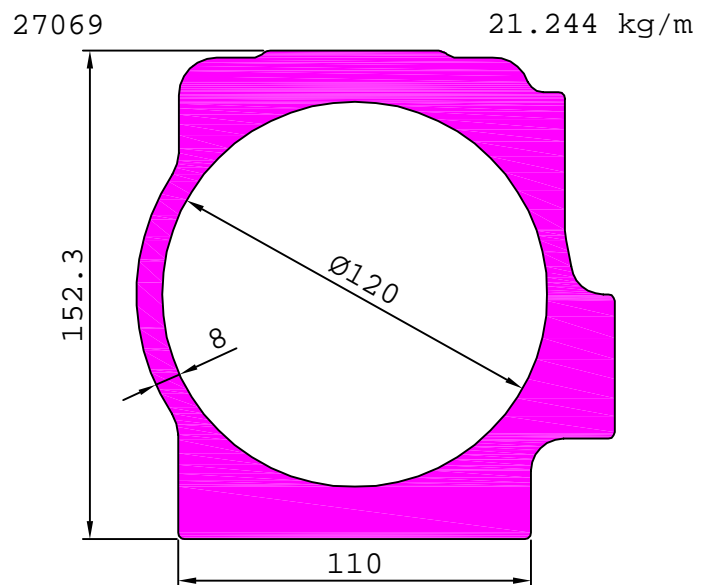
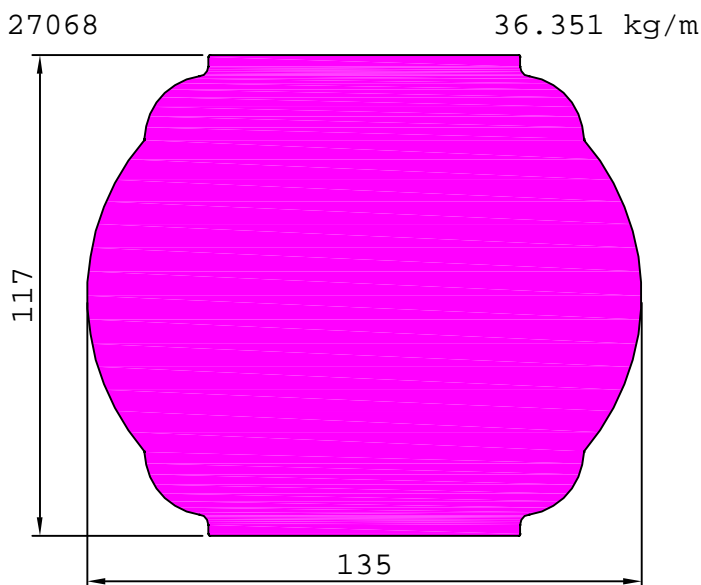
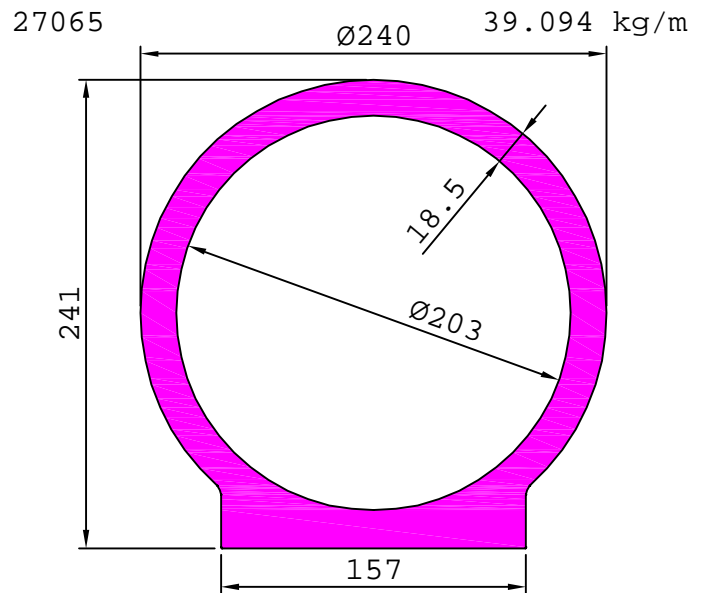
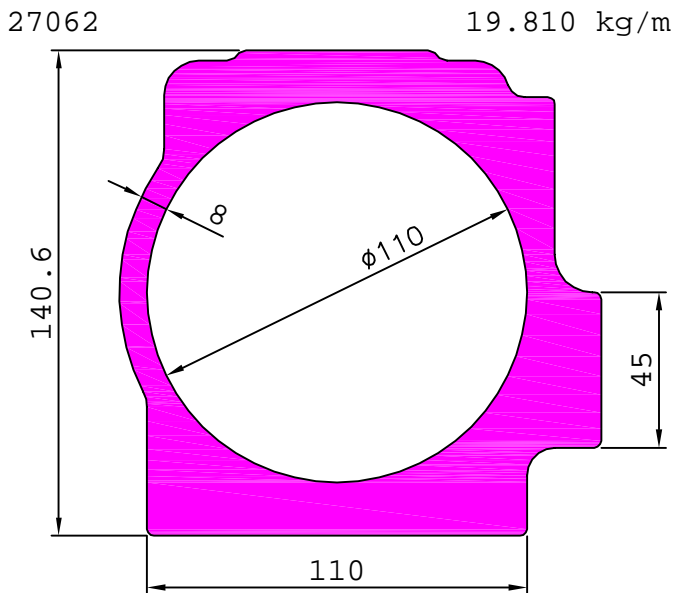
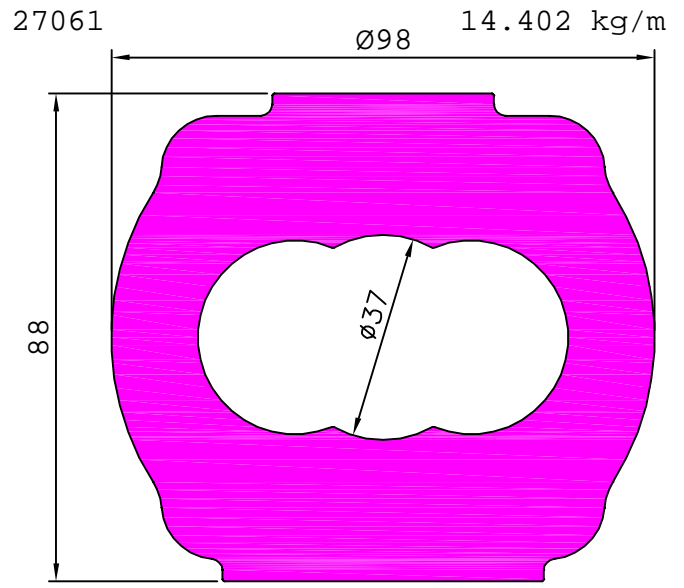
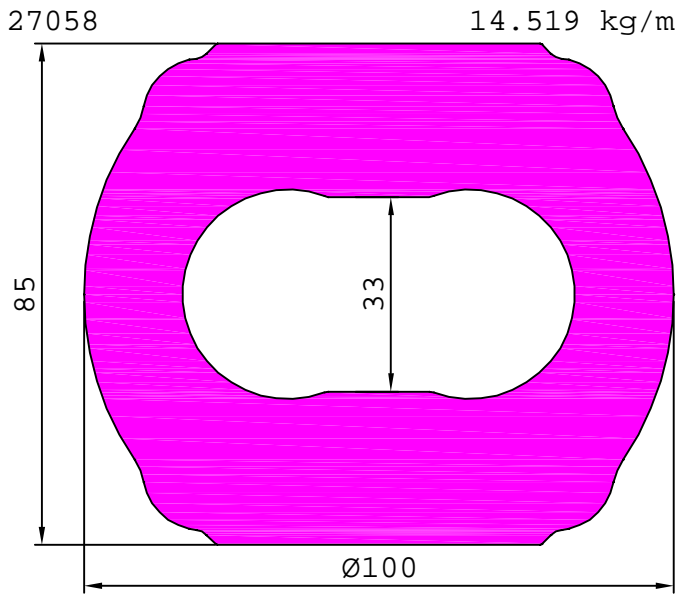
27054 22.303 kg/m



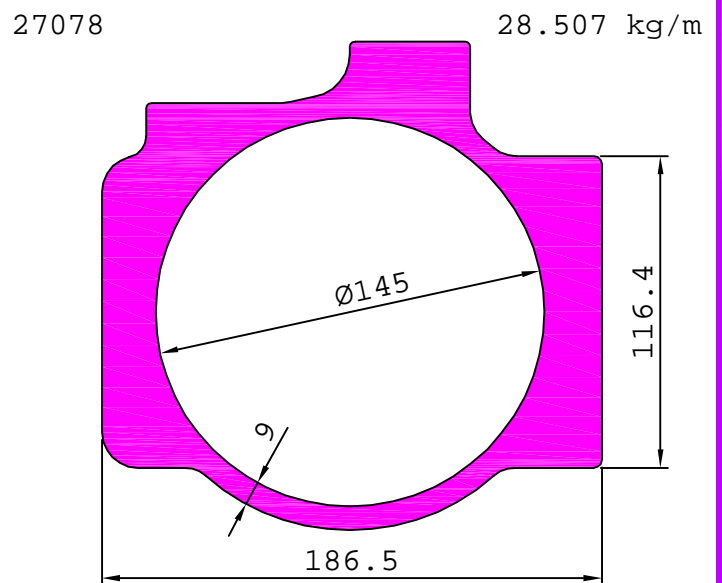
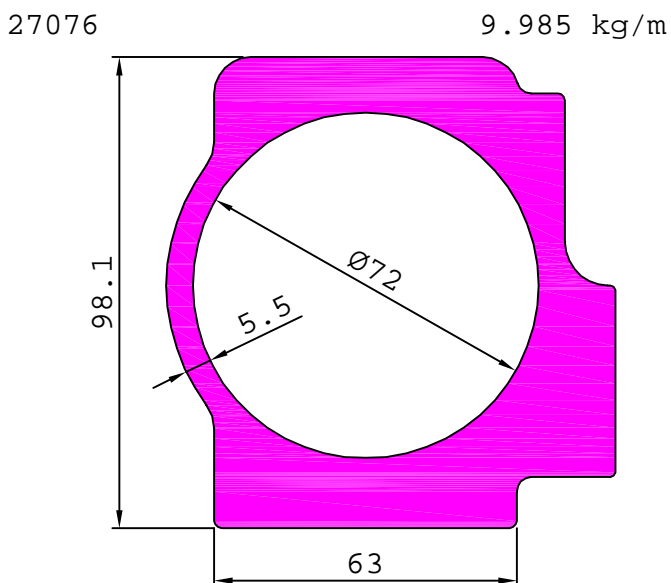
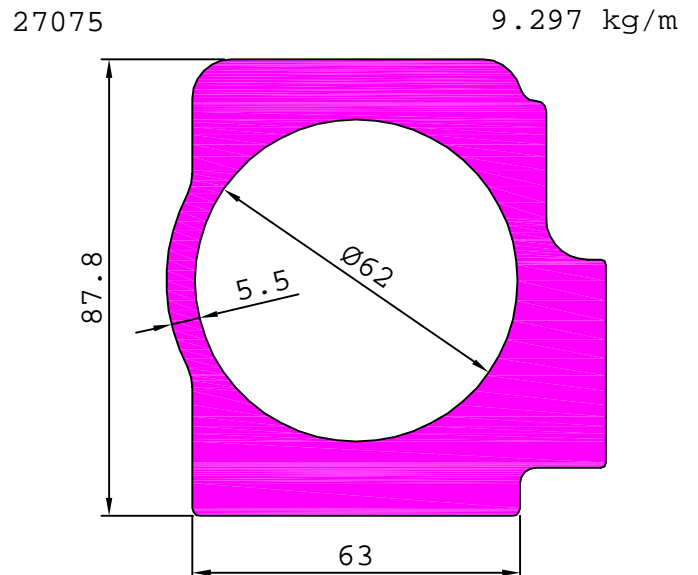
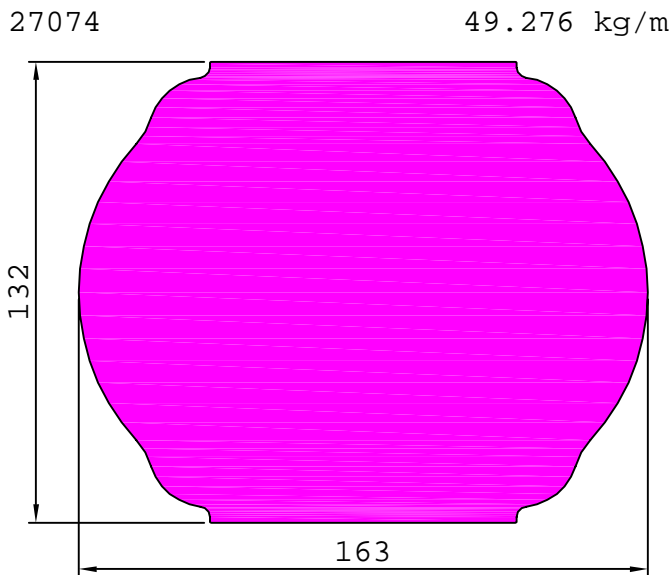
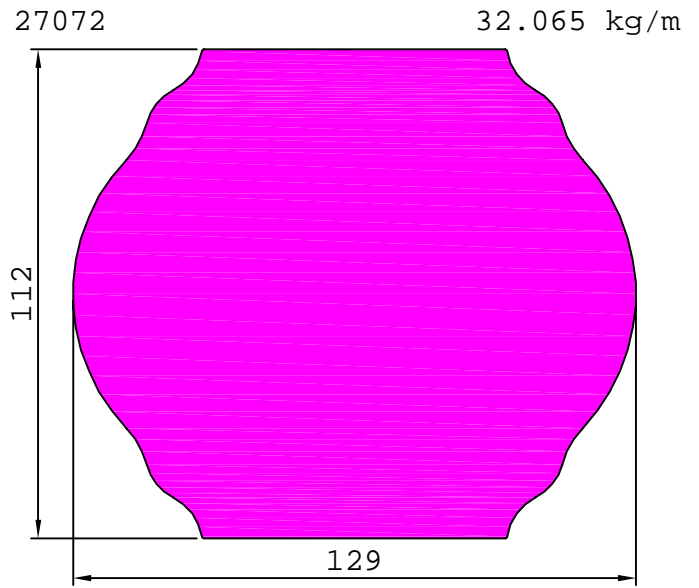
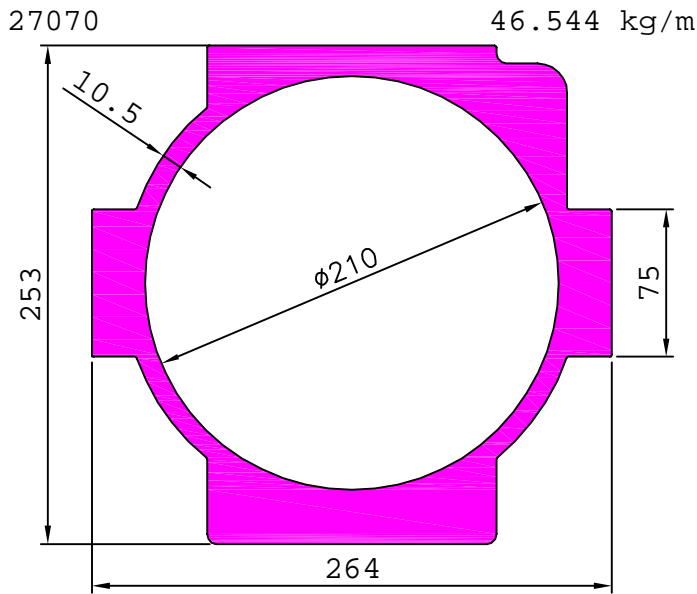
27057 33.495 kg/m



PUMP BODY AND ACTUATOR BODY



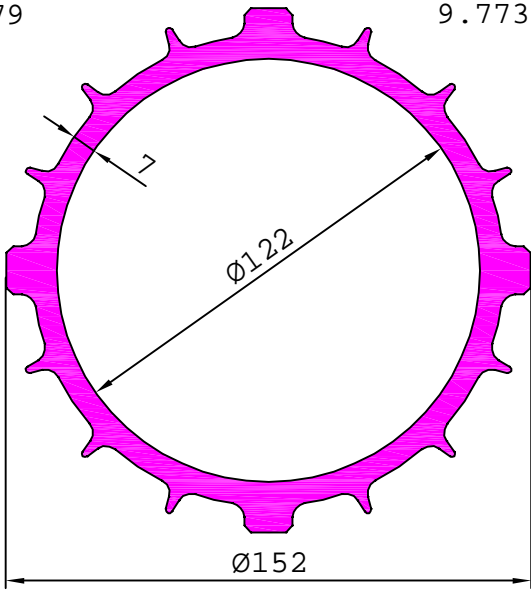
PUMP BODY AND ACTUATOR BODY



PUMP BODY AND ACTUATOR BODY

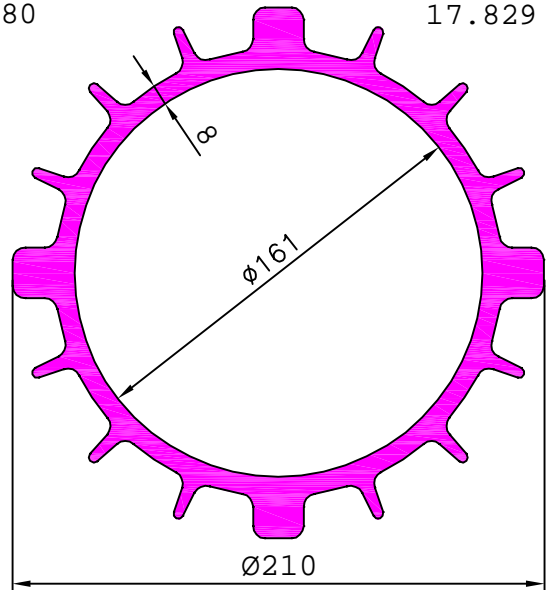
27079

9.773 kg/m



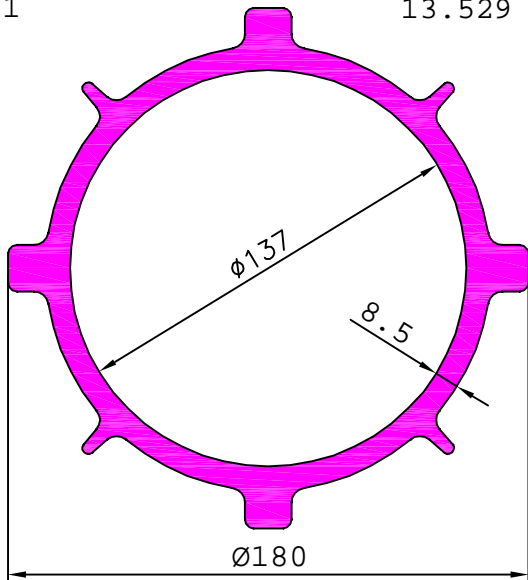
27080

17.829 kg/m



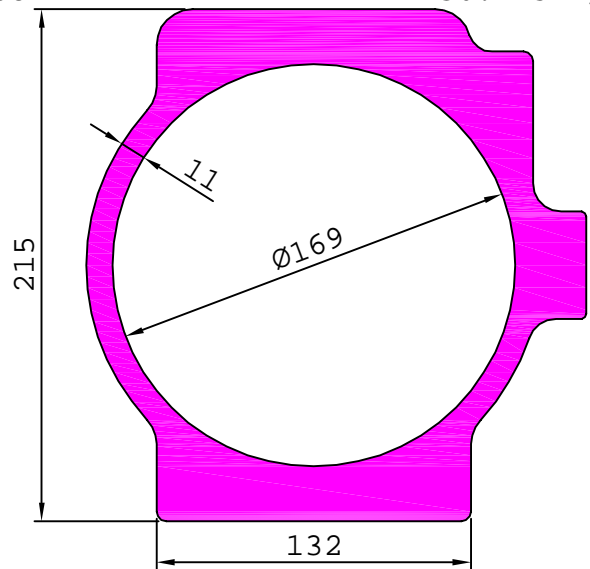
27081

13.529 kg/m



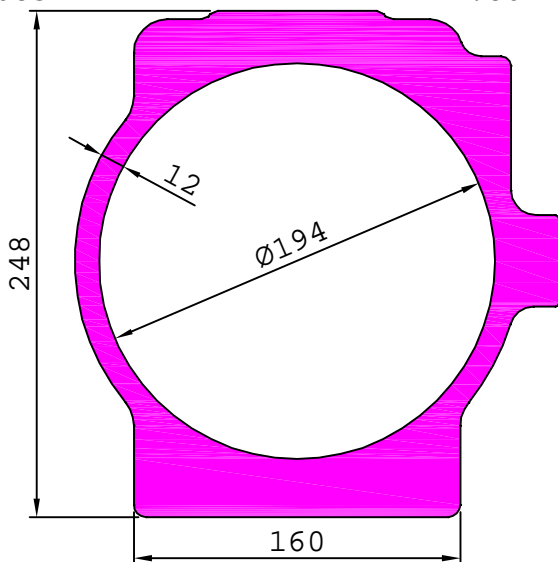
27082

36.225 kg/m



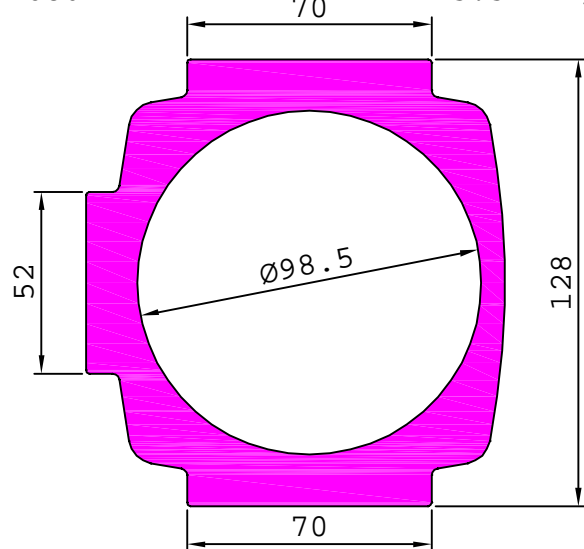
27083

47.807 kg/m



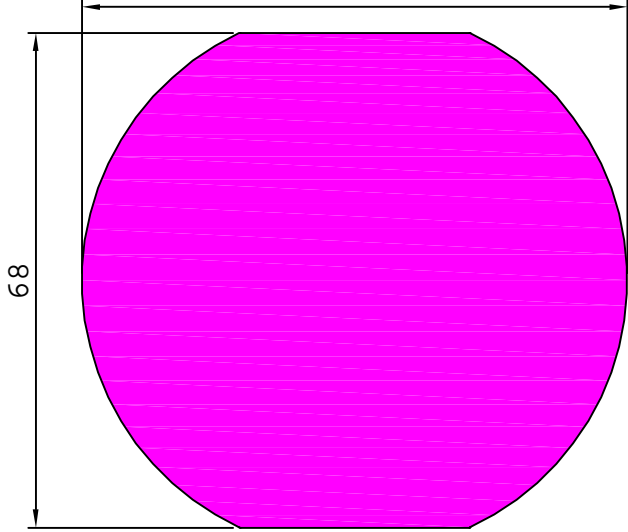
27086

15.511 kg/m

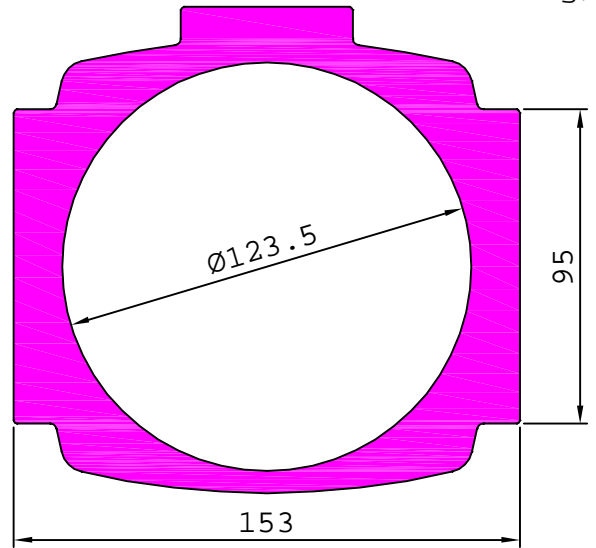


PUMP BODY AND ACTUATOR BODY

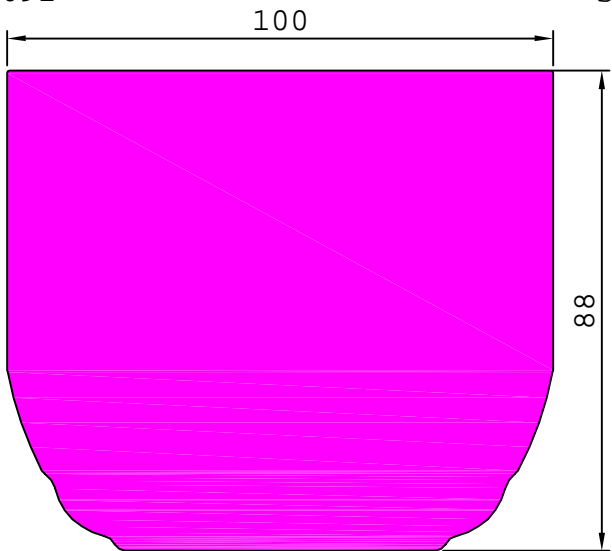
27088 75 11.526 kg/m



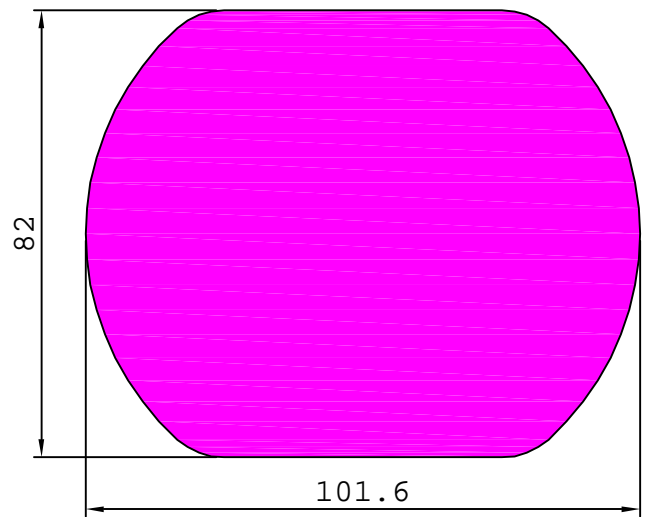
27089 20.691 kg/m



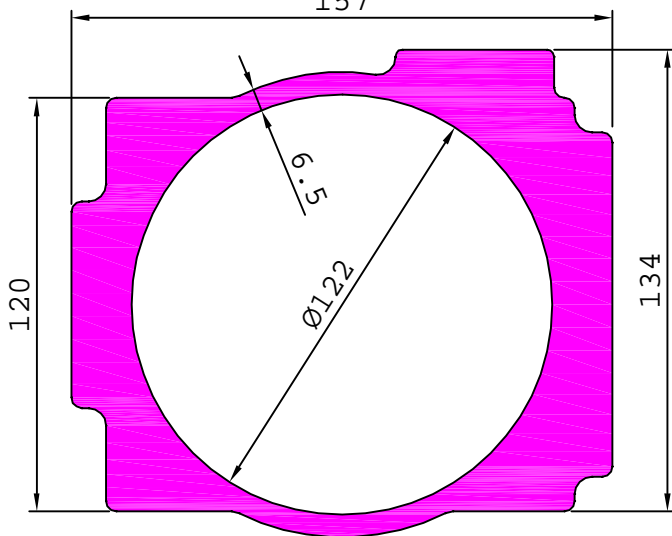
27091 22.536 kg/m



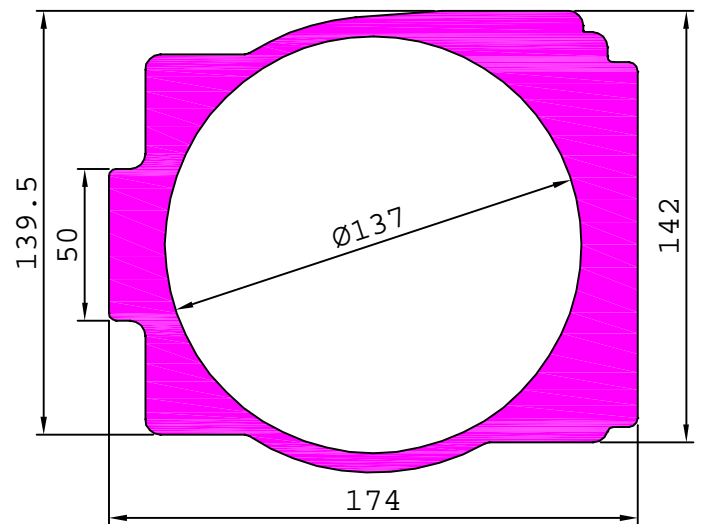
27092 19.703 kg/m



27093 157 20.425 kg/m



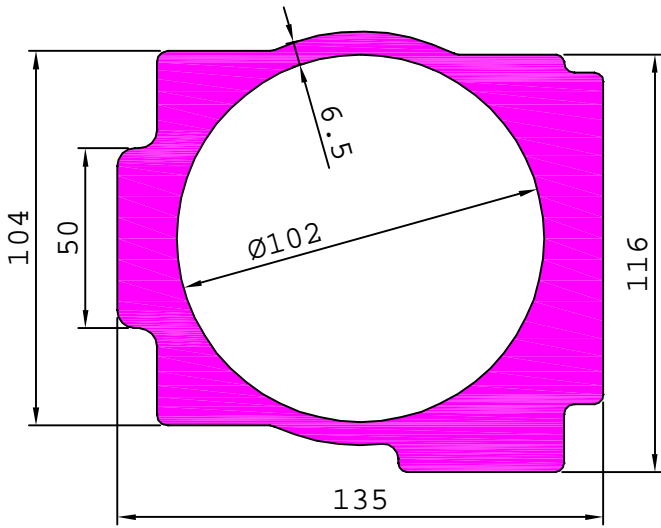
27094 174 22.219 kg/m



PUMP BODY AND ACTUATOR BODY

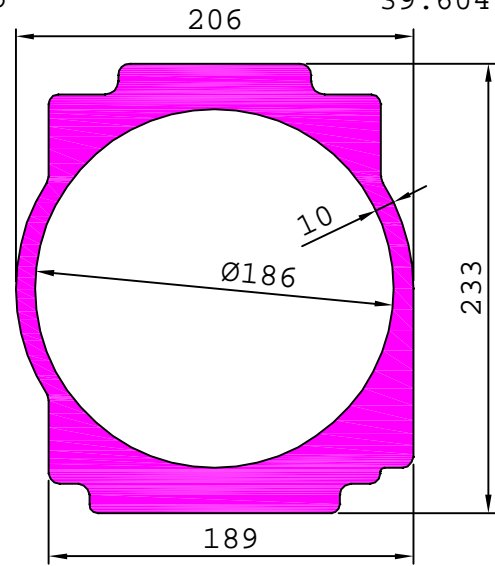
27095

16.295 kg/m



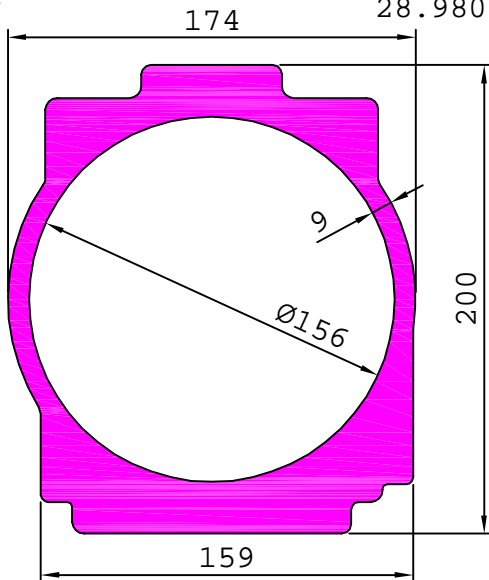
27096

39.604 kg/m



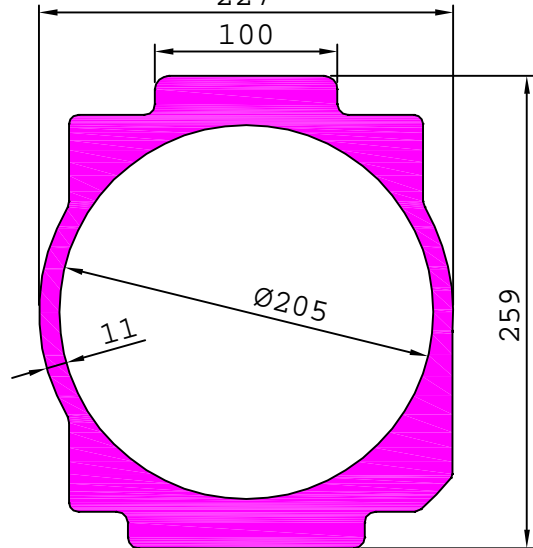
27097

28.980 kg/m



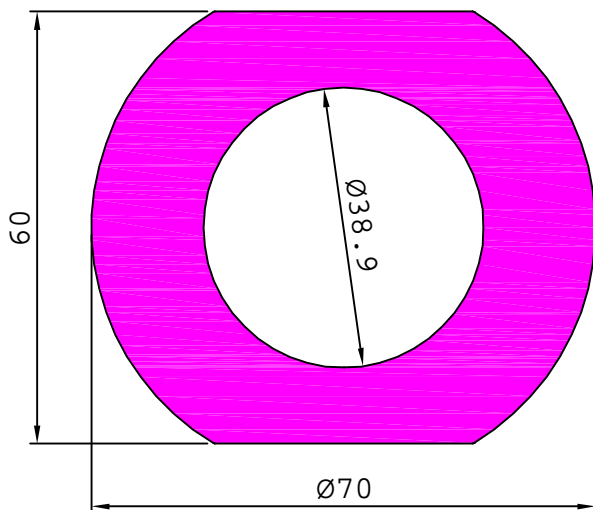
27098

47.180 kg/m



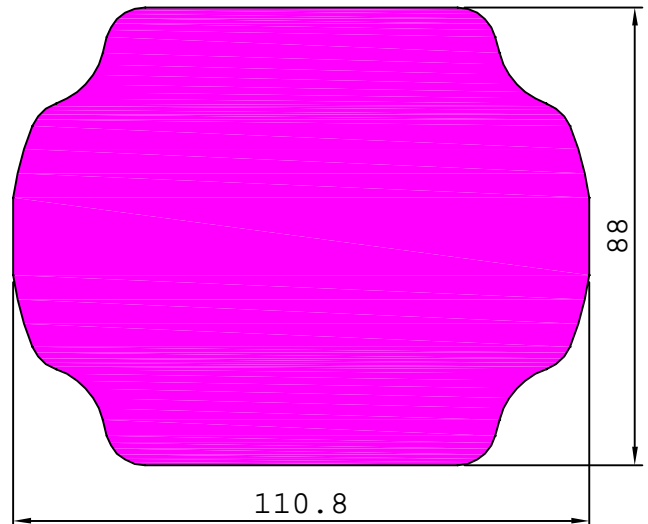
27099

6.523 kg/m



27100

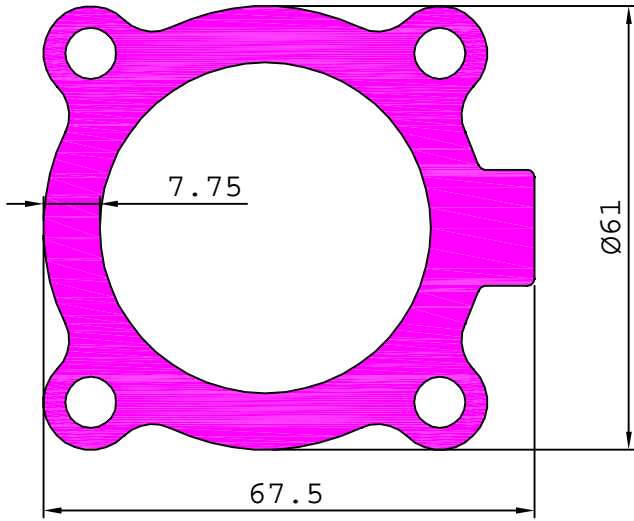
22.548 kg/m



PUMP BODY AND ACTUATOR BODY

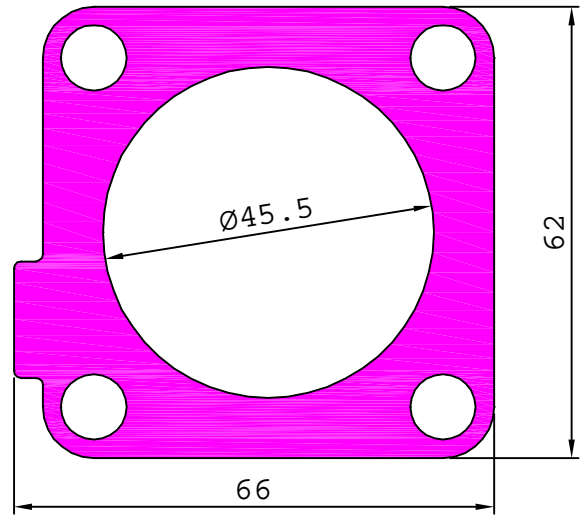
27101

4.680 kg/m



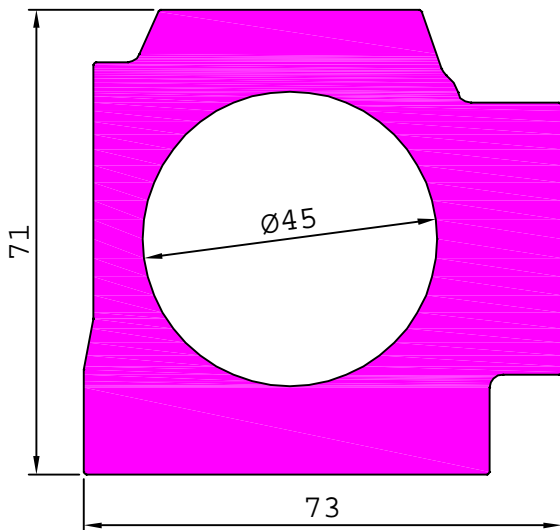
27102

5.361 kg/m



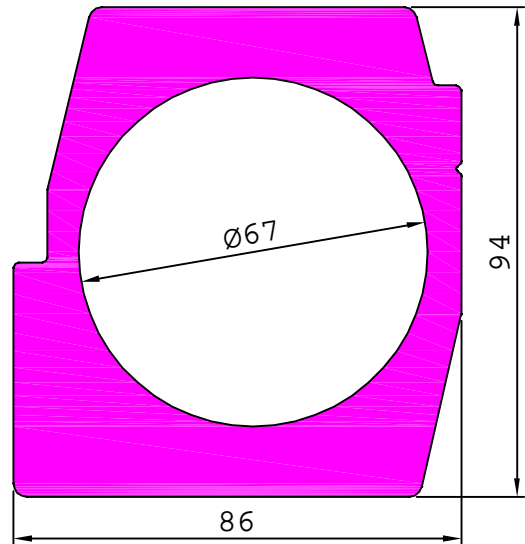
27103

8.147 kg/m



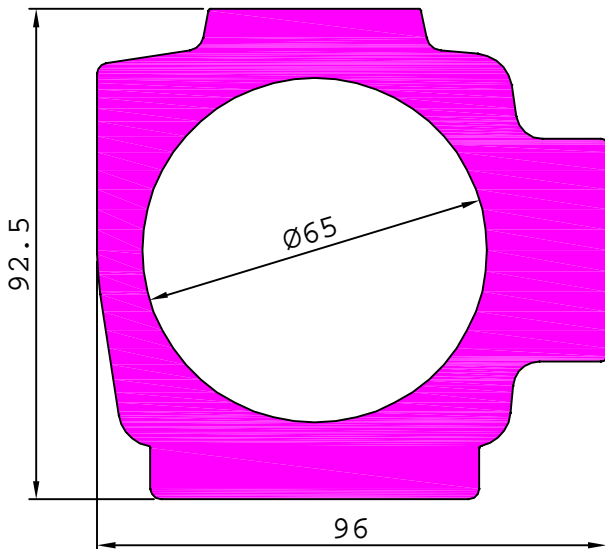
27104

10.366 kg/m



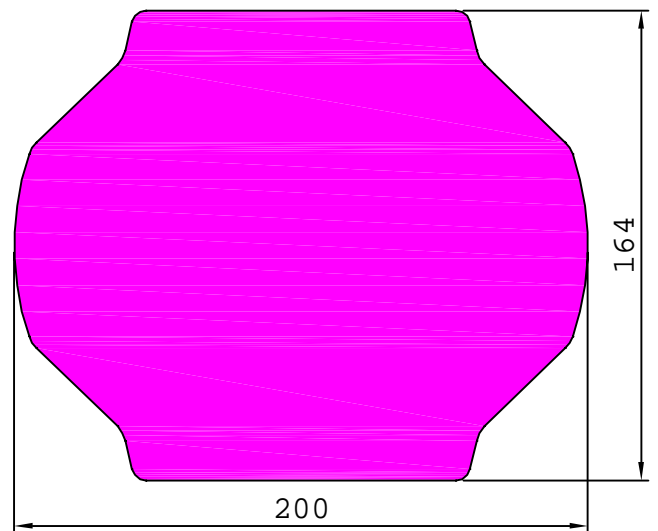
27105

11.050 kg/m



27106

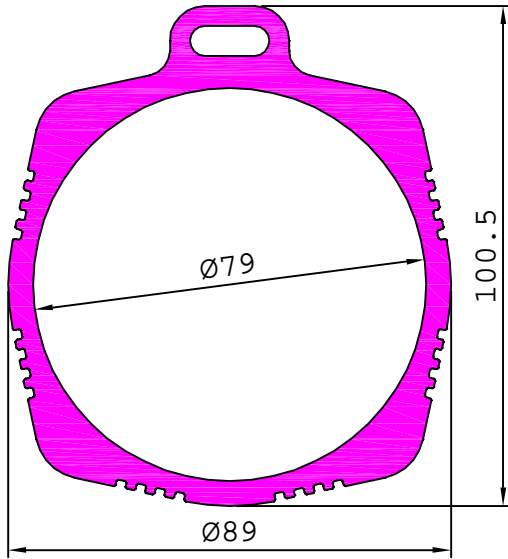
73.151 kg/m



PUMP BODY AND ACTUATOR BODY

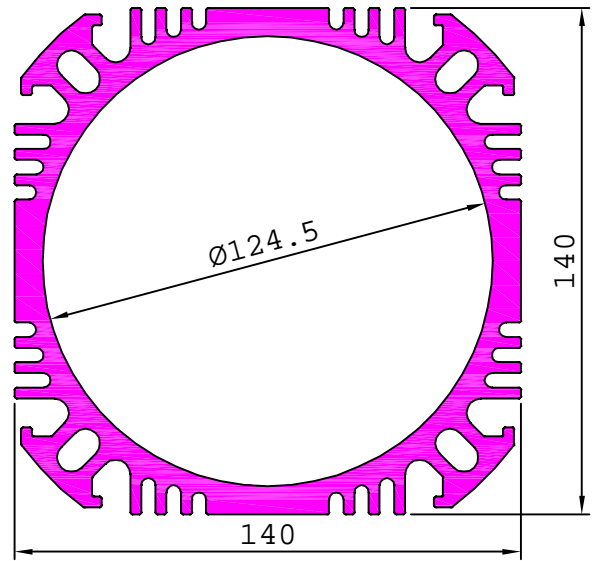
27109

5.362 kg/m



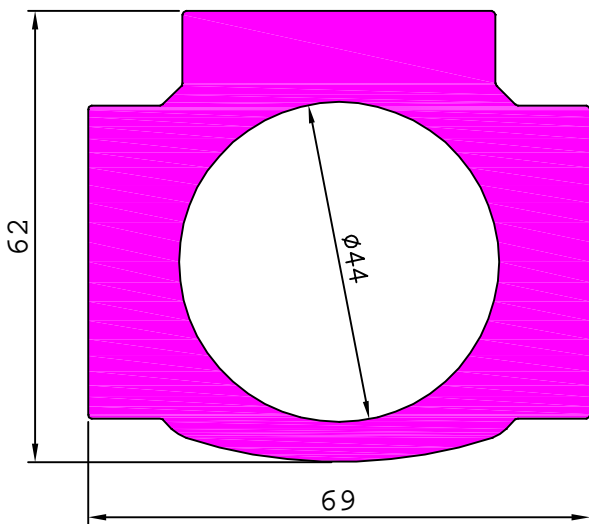
27110

12.123 kg/m



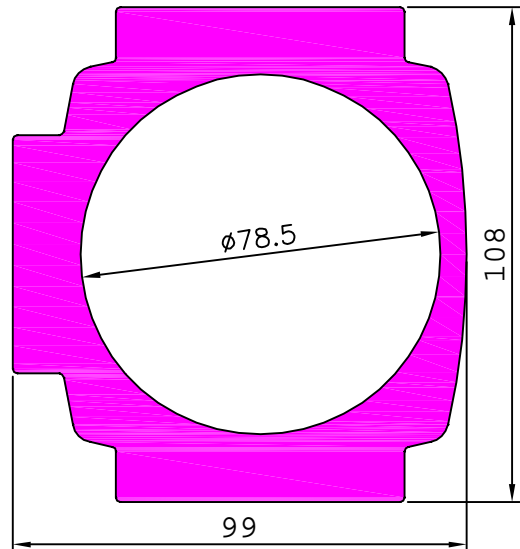
27111

6.022 kg/m



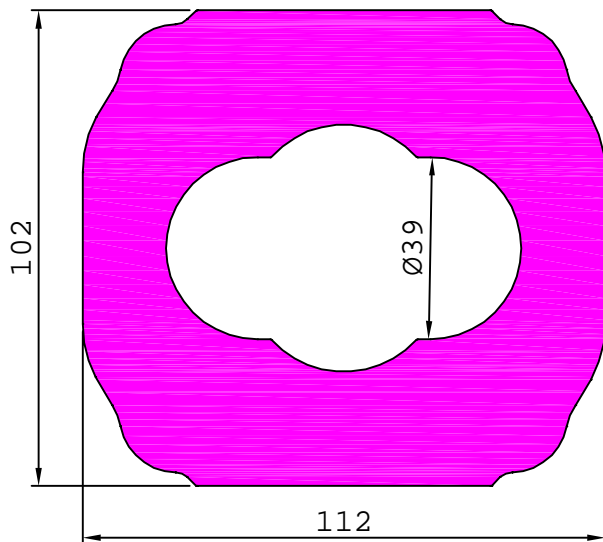
27112

11.910 kg/m



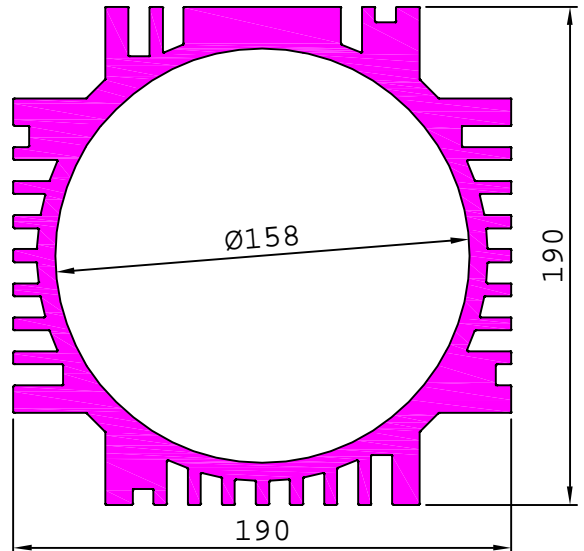
27114

20.211 kg/m



27116

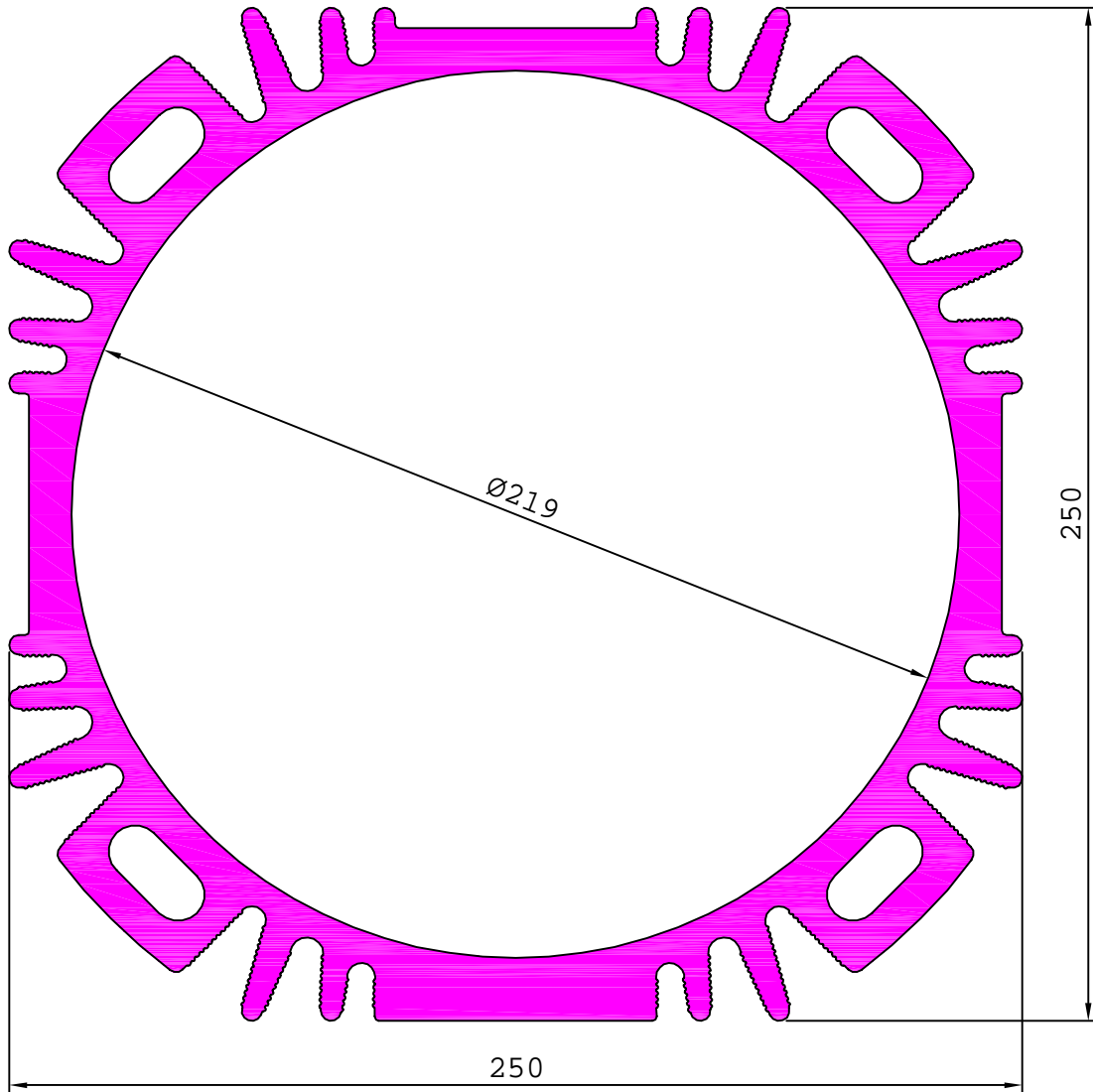
24.069 kg/m



PUMP BODY AND ACTUATOR BODY

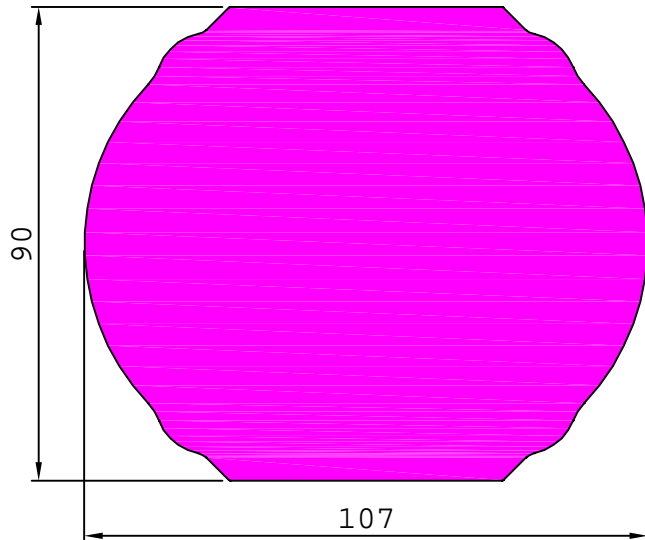
27115

32.875 kg/m



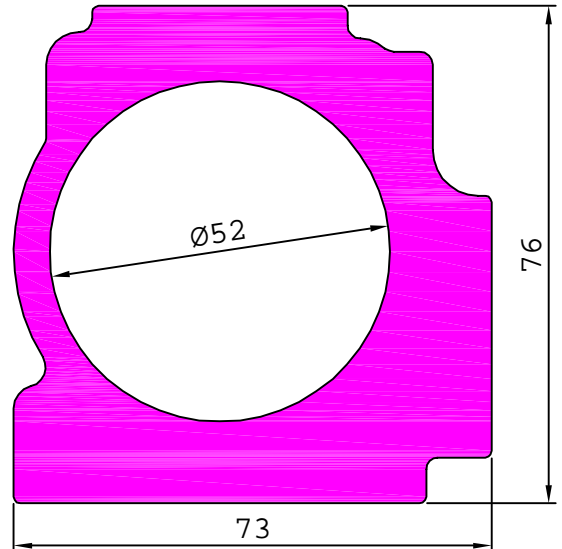
27117

21.785 kg/m



27118

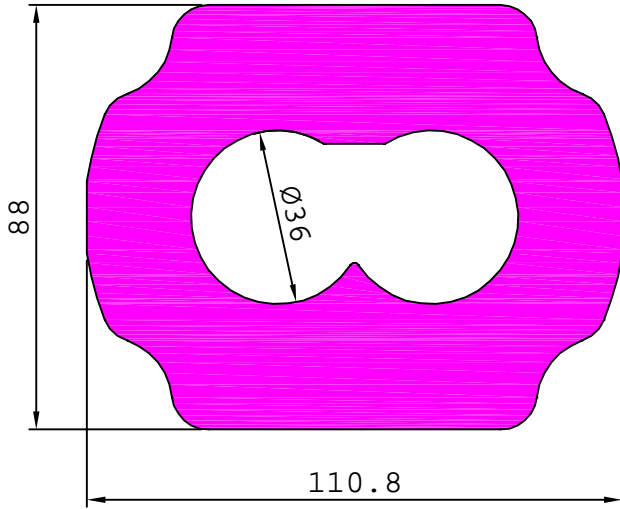
7.598 kg/m



PUMP BODY AND ACTUATOR BODY

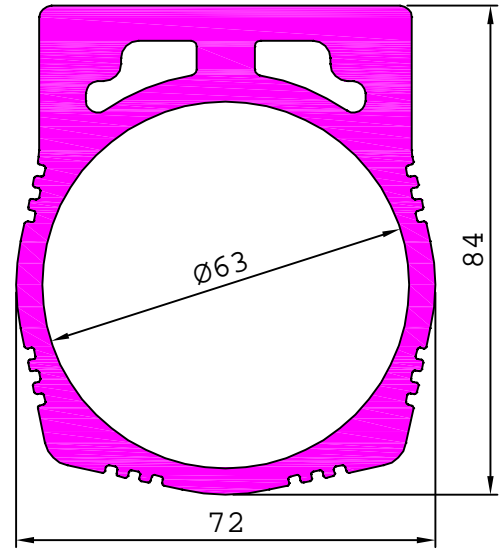
27119

17.105 kg/m



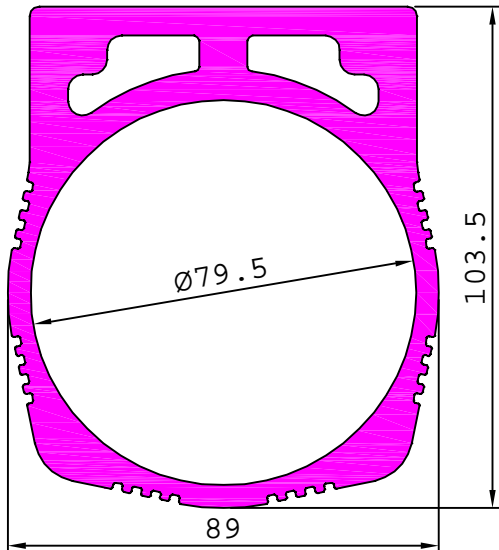
27120

5.335 kg/m



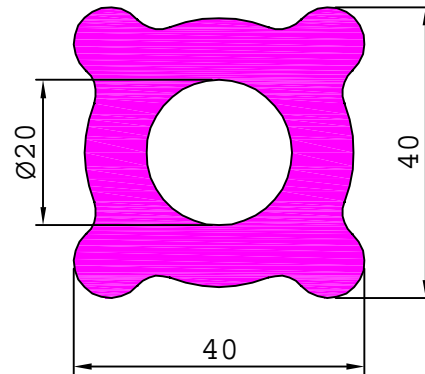
27121

7.342 kg/m



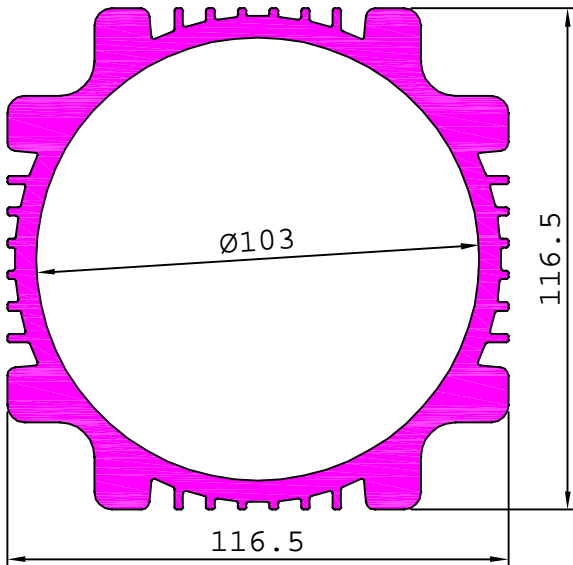
27122

2.825 kg/m



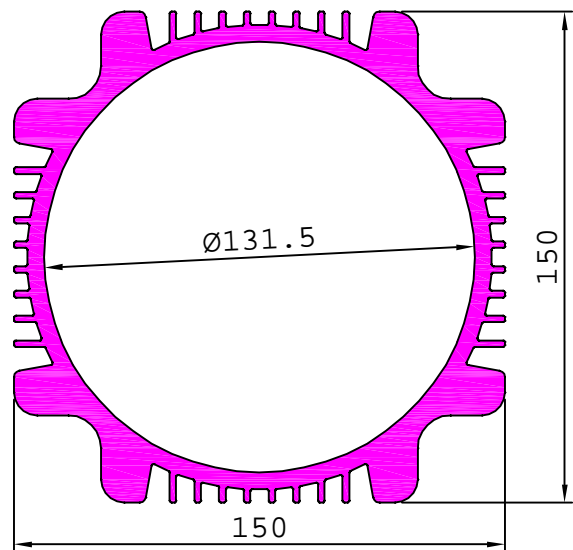
27123

8.201 kg/m

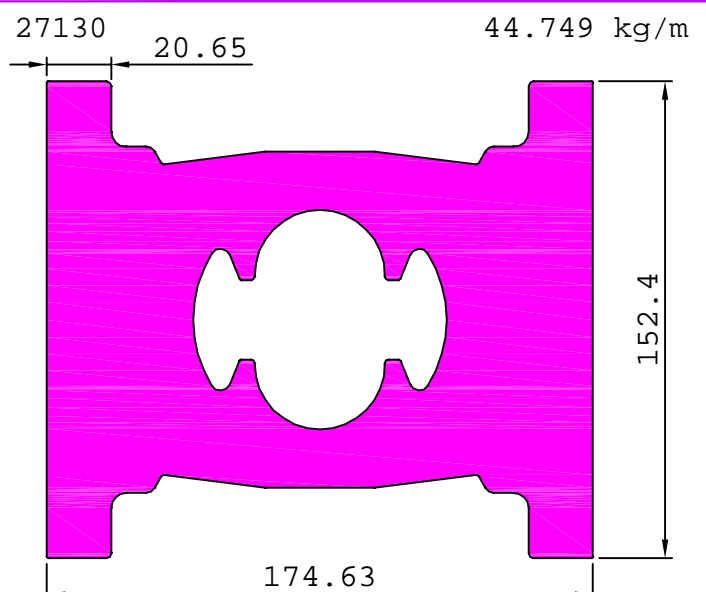
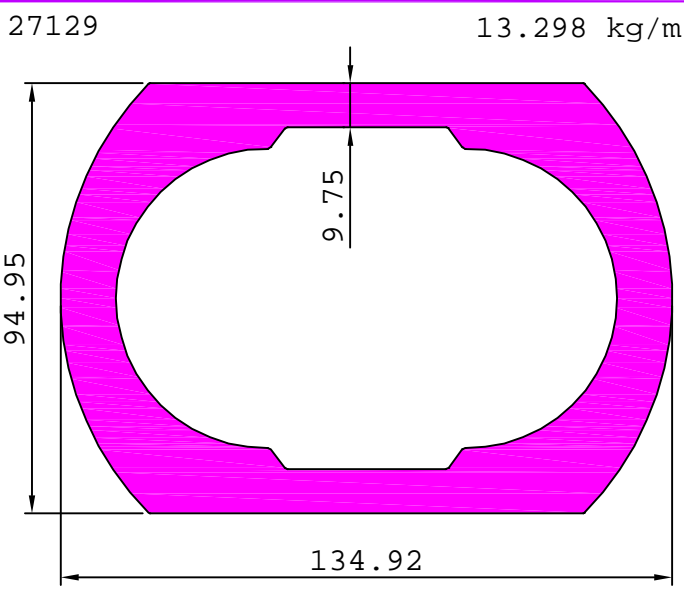
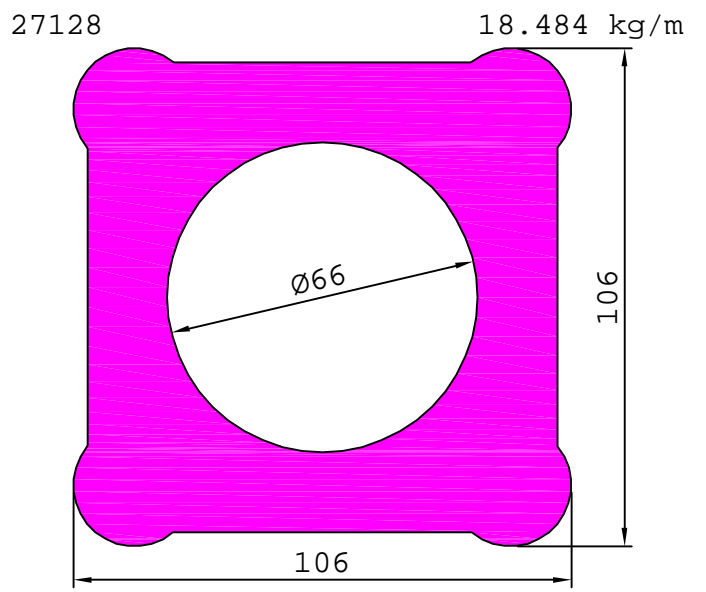
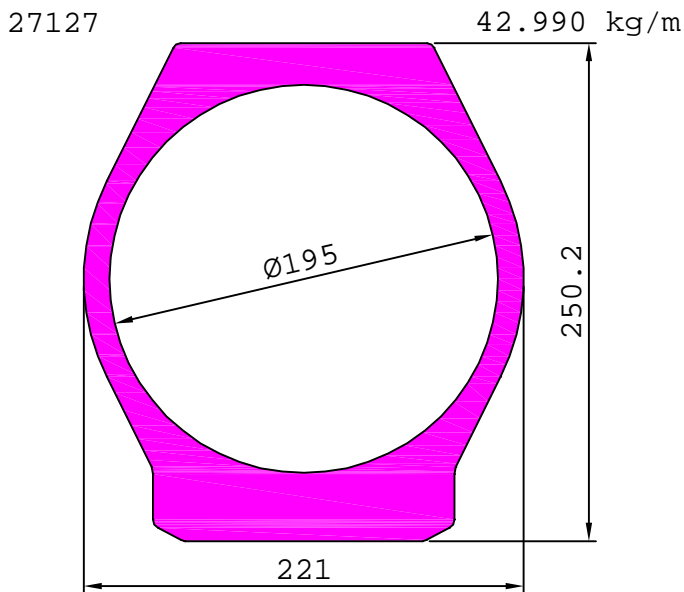
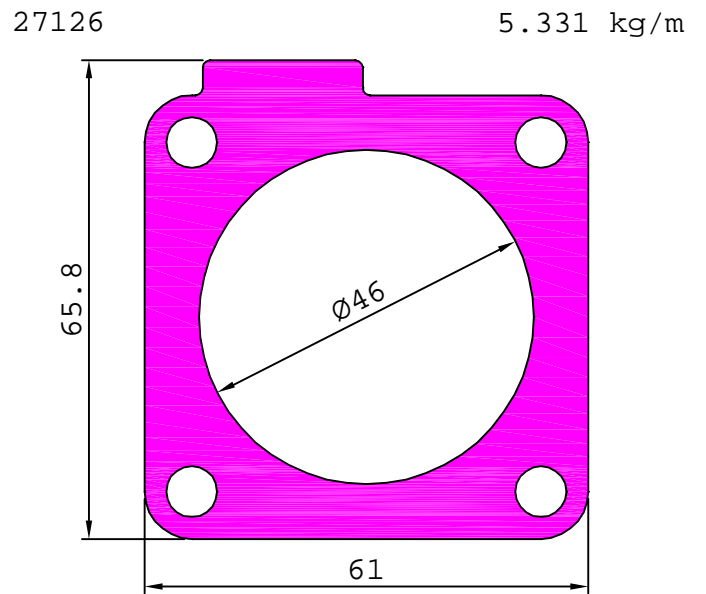
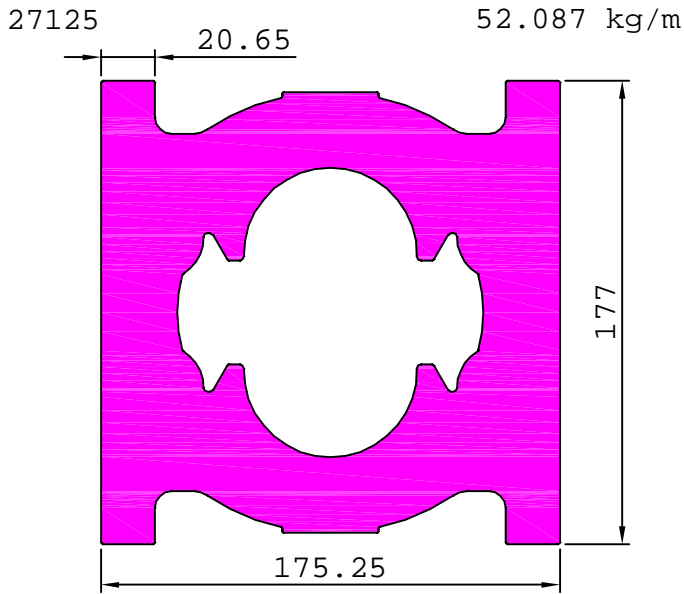


27124

12.498 kg/m



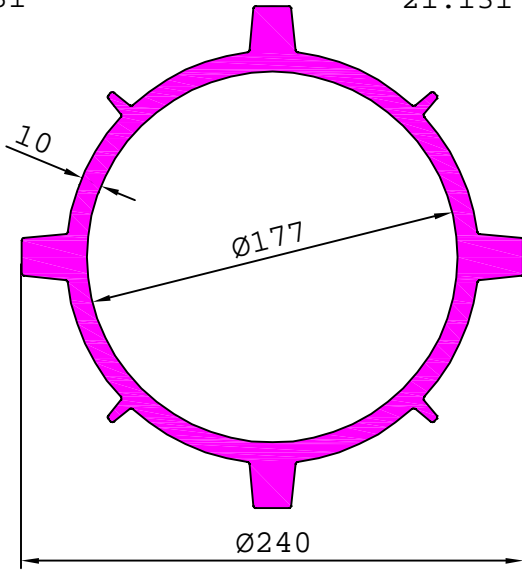
PUMP BODY AND ACTUATOR BODY



PUMP BODY AND ACTUATOR BODY

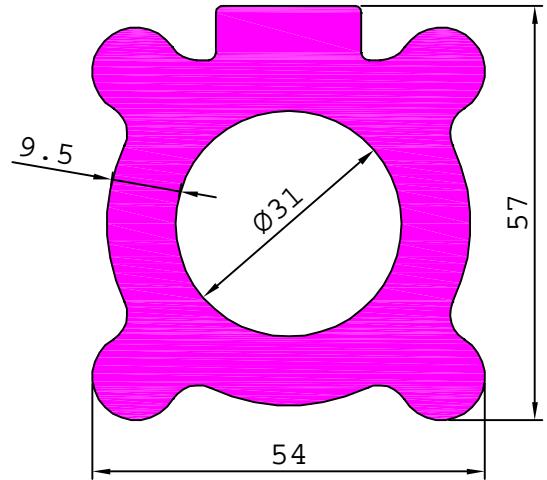
27131

21.131 kg/m



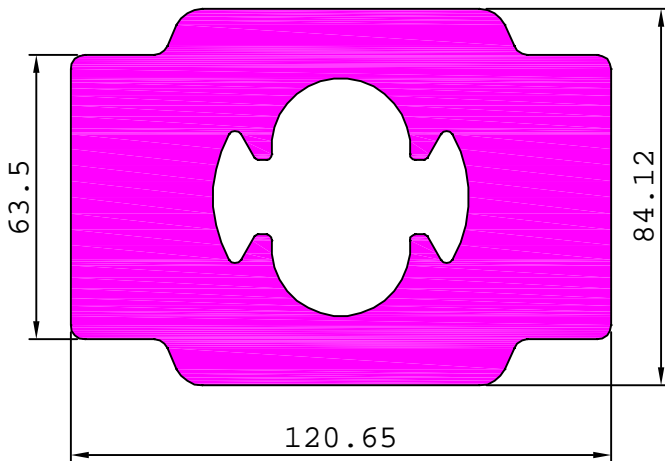
27132

4.835 kg/m



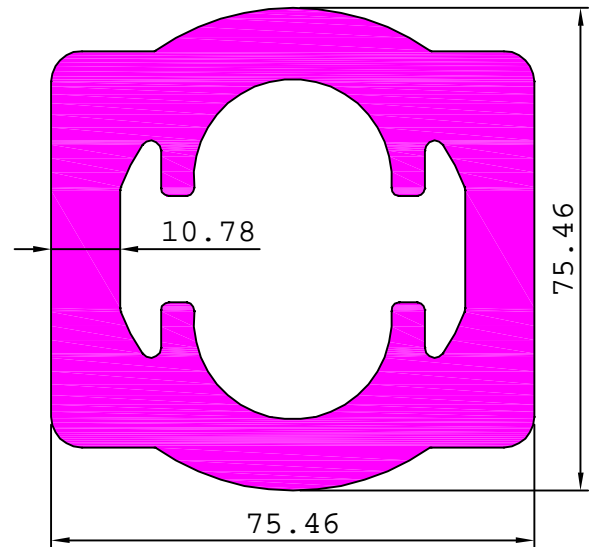
27133

19.408 kg/m



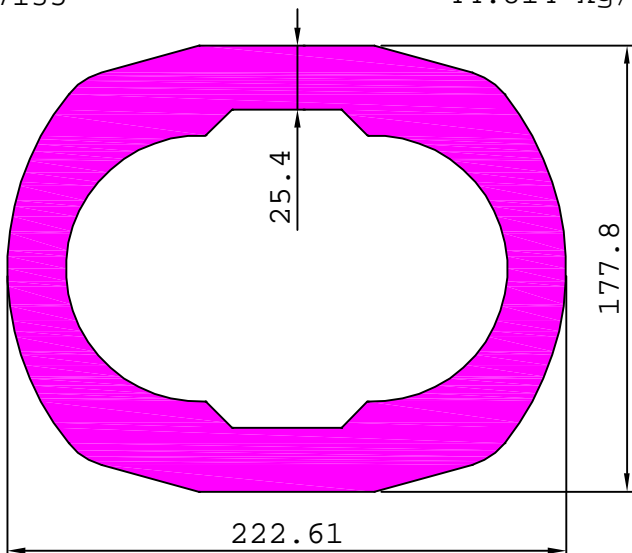
27134

8.266 kg/m



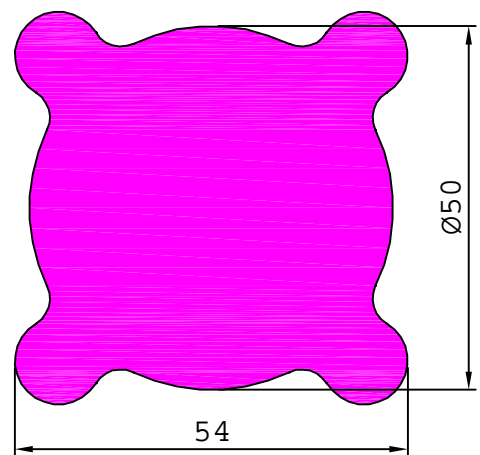
27135

44.814 kg/m



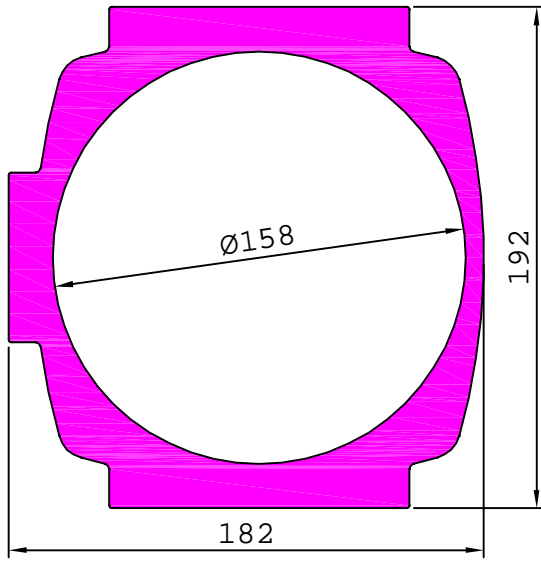
27136

6.562 kg/m

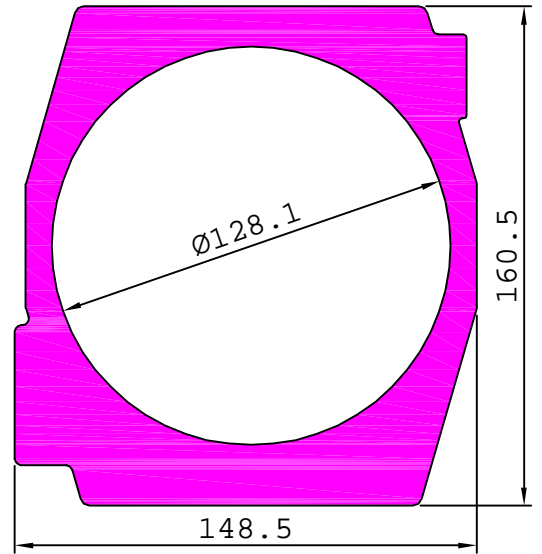


PUMP BODY AND ACTUATOR BODY

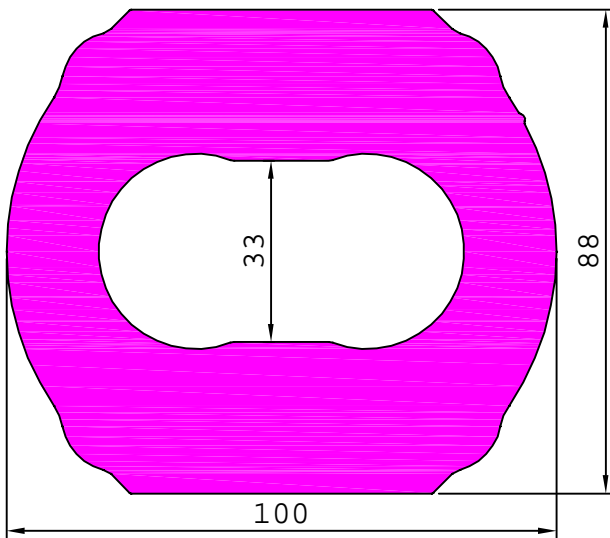
27140 28.917 kg/m



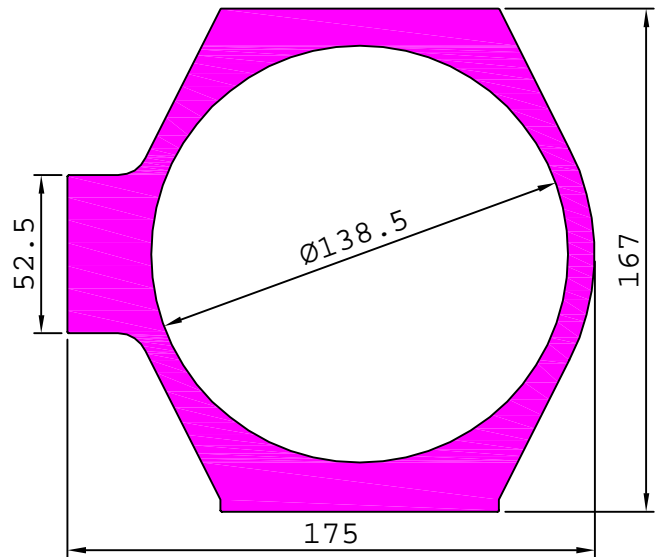
27142 24.280 kg/m



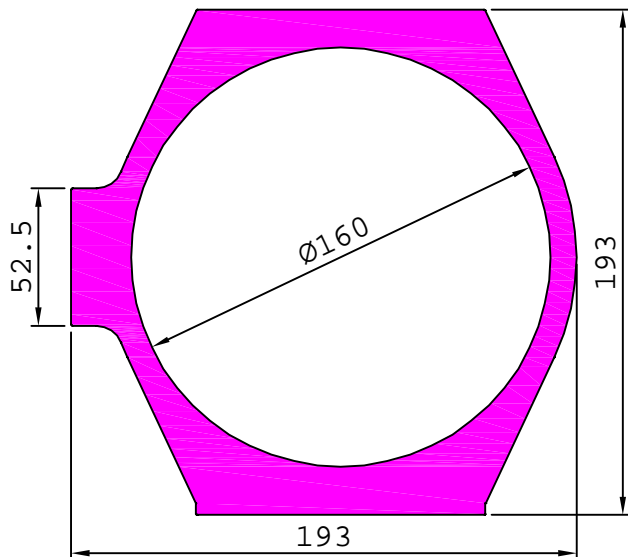
27143 15.044 kg/m



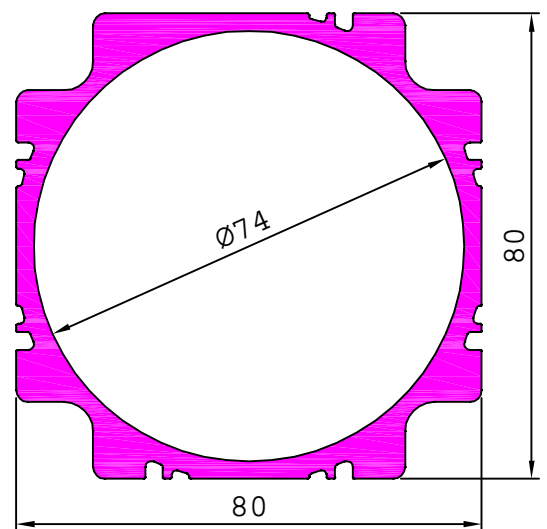
27144 20.848 kg/m



27145 26.465 kg/m

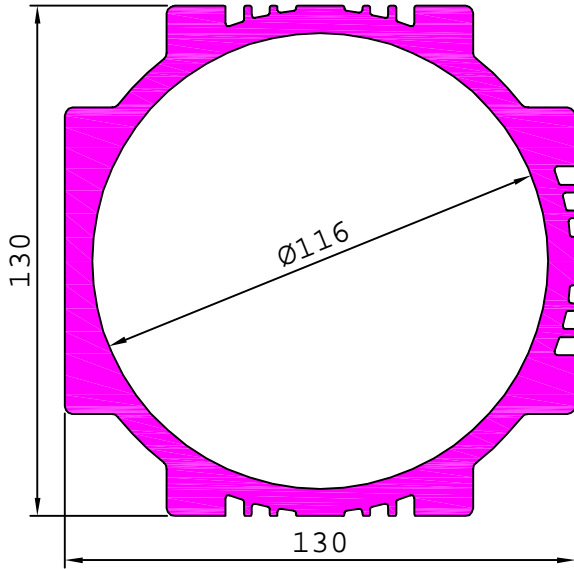


27146 3.601 kg/m

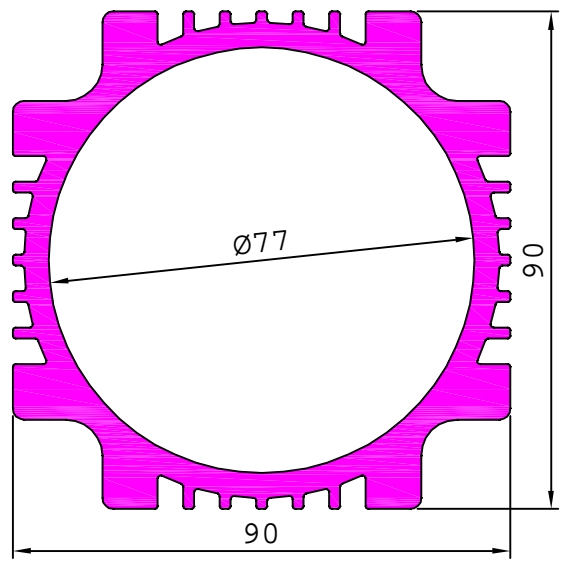


PUMP BODY AND ACTUATOR BODY

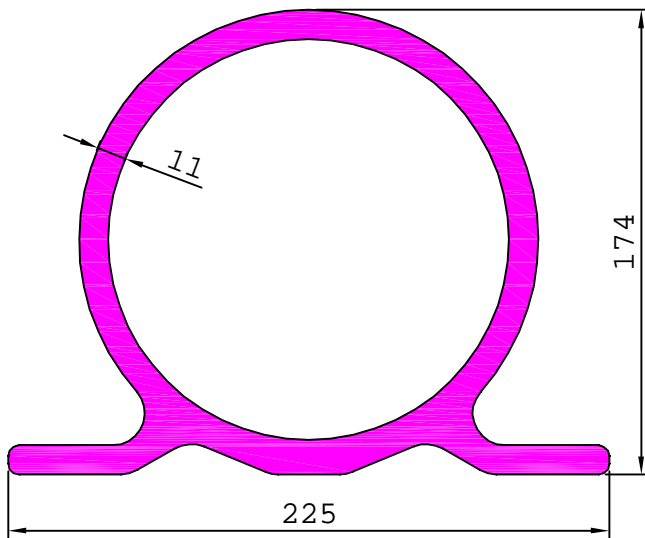
27147 10.098 kg/m



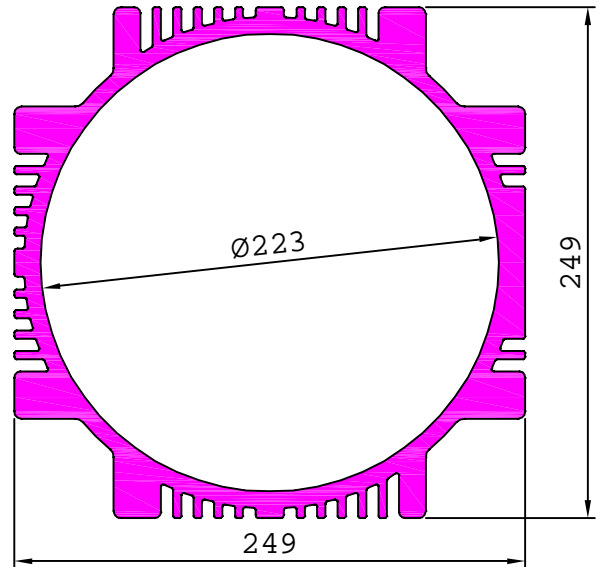
27279 5.504 kg/m



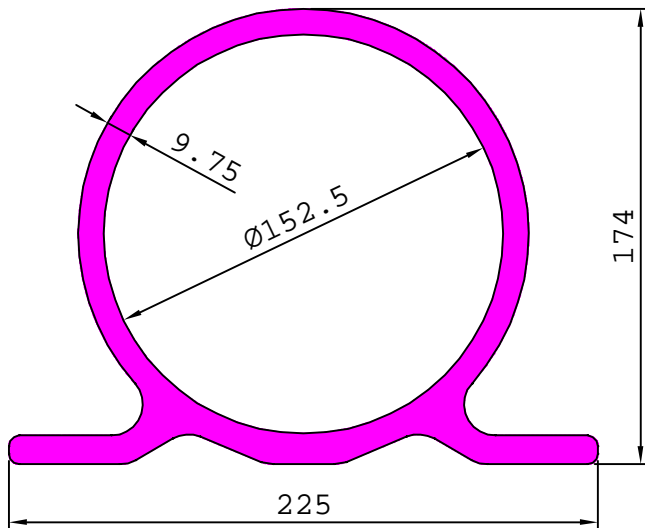
28333 19.704 kg/m



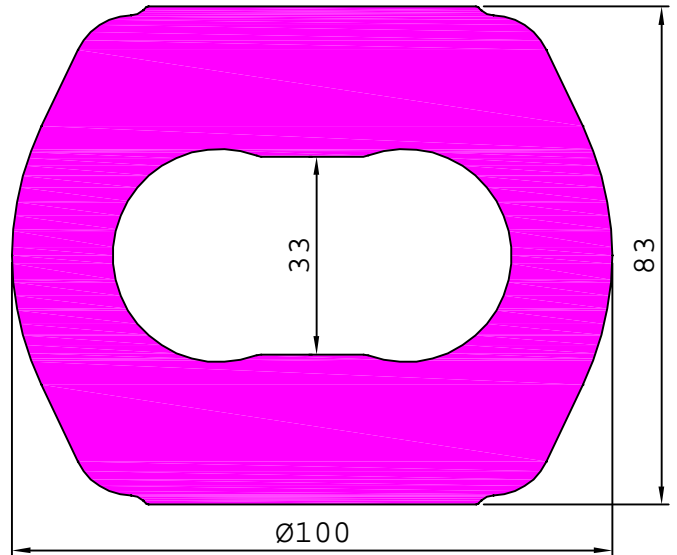
S4230 31.864 kg/m



S5558 18.100 kg/m



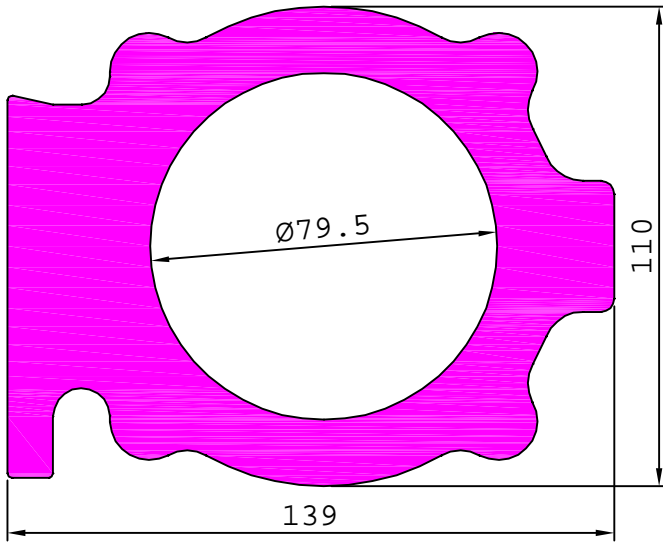
S5927 14.270 kg/m



PUMP BODY AND ACTUATOR BODY

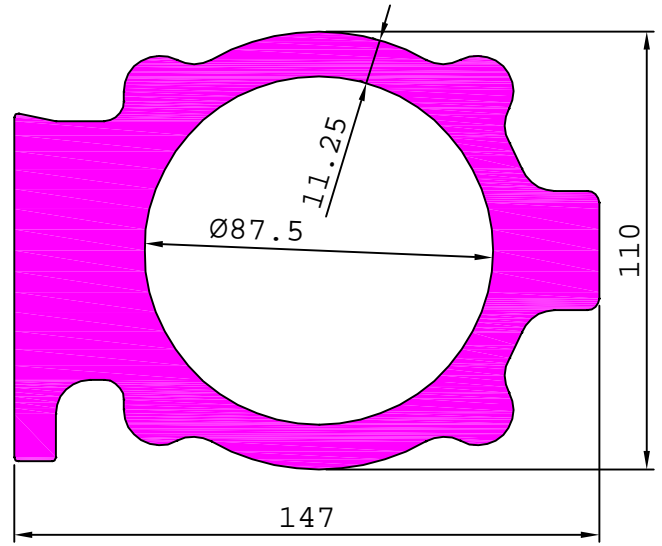
S6120

19.485 kg/m



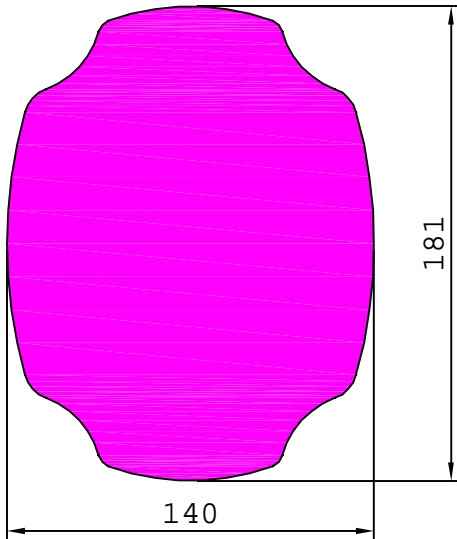
S6121

17.675 kg/m



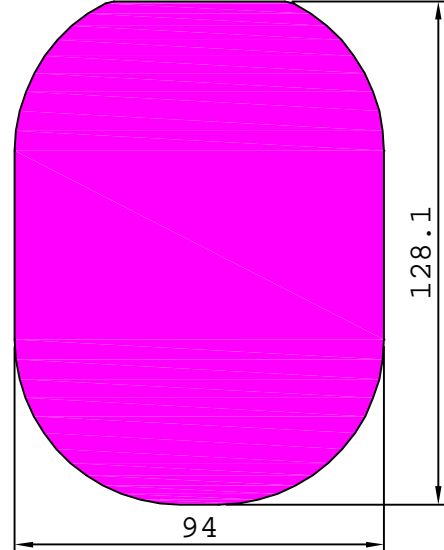
S6297

55.054 kg/m



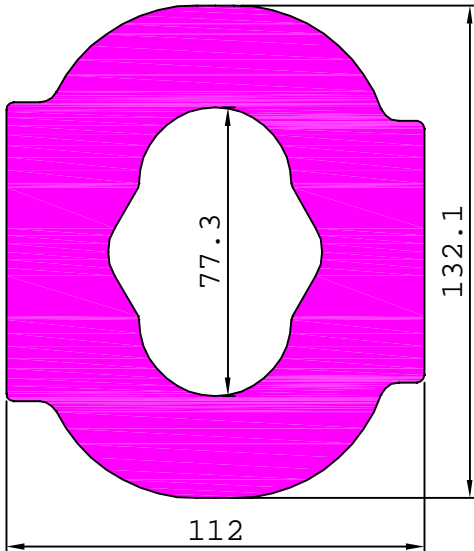
S6298

29.070 kg/m



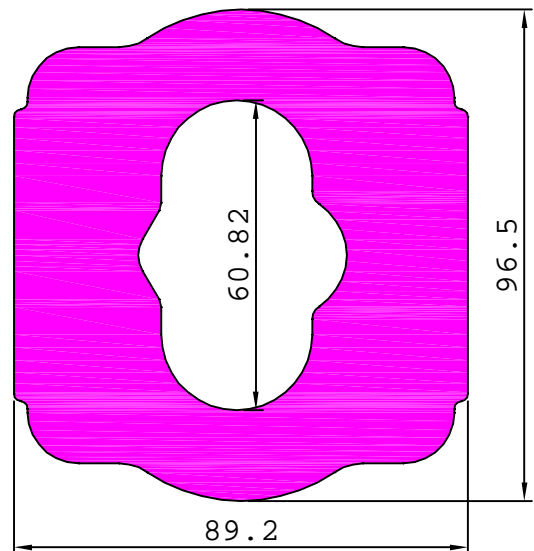
S6299

24.730 kg/m



S6300

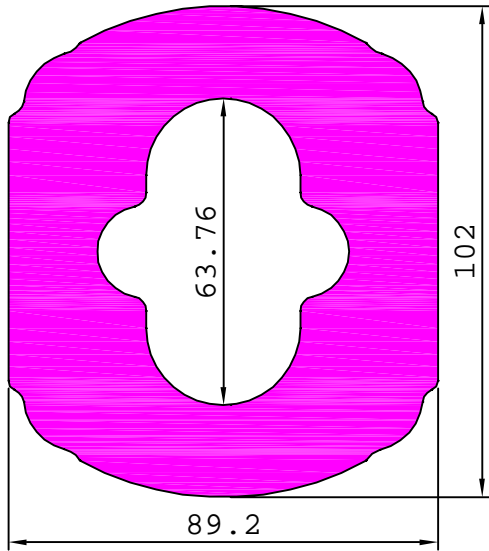
15.463 kg/m



PUMP BODY AND ACTUATOR BODY

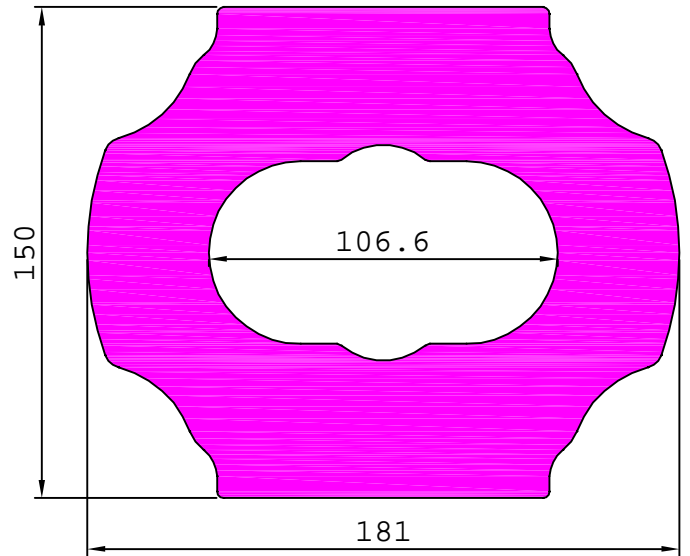
S6301

15.774 kg/m



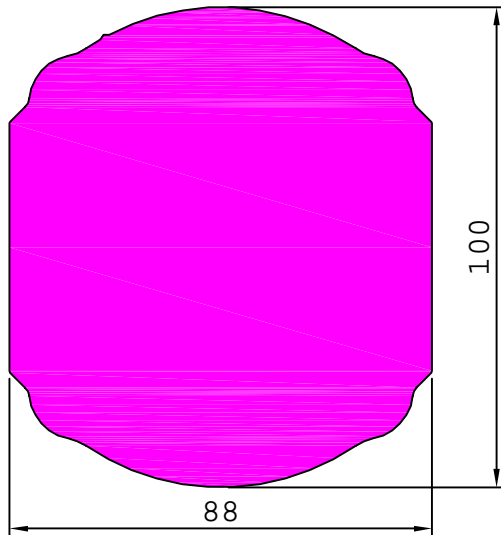
S6302

44.312 kg/m



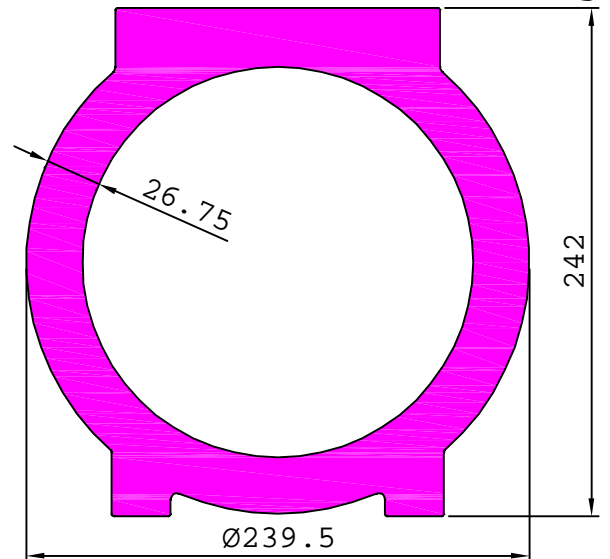
S6348

20.473 kg/m



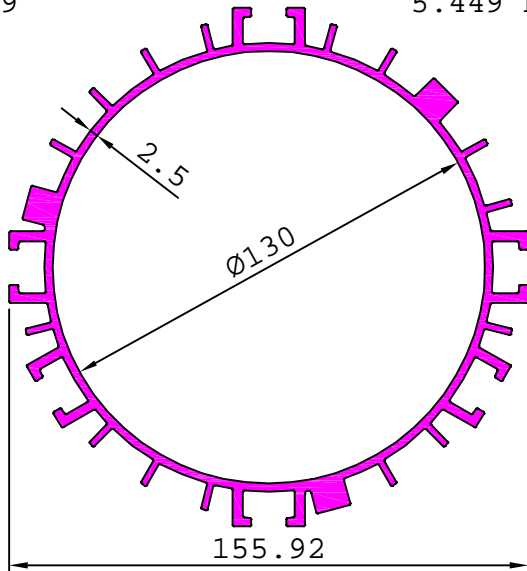
S6592

55.699 kg/m



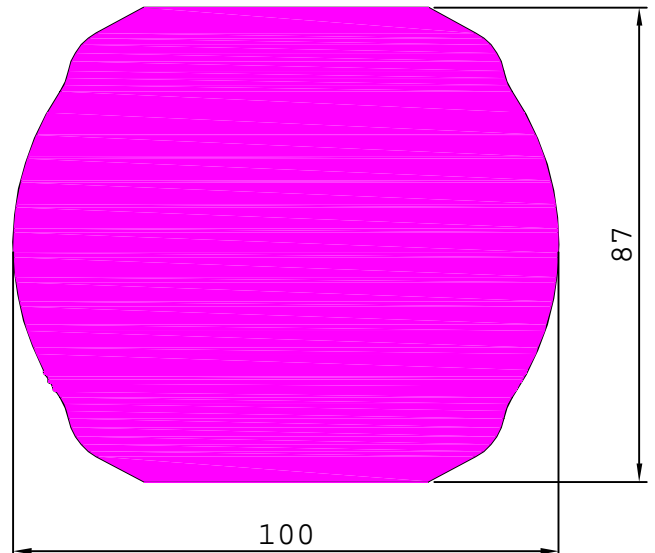
52019

5.449 kg/m



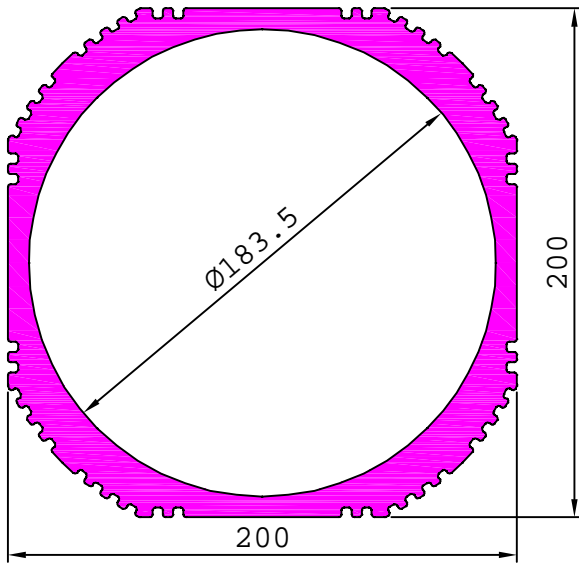
27149

20.373 kg/m

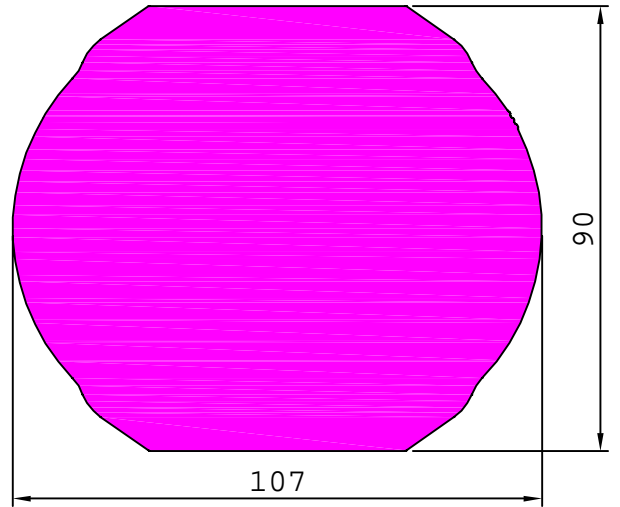


PUMP BODY AND ACTUATOR BODY

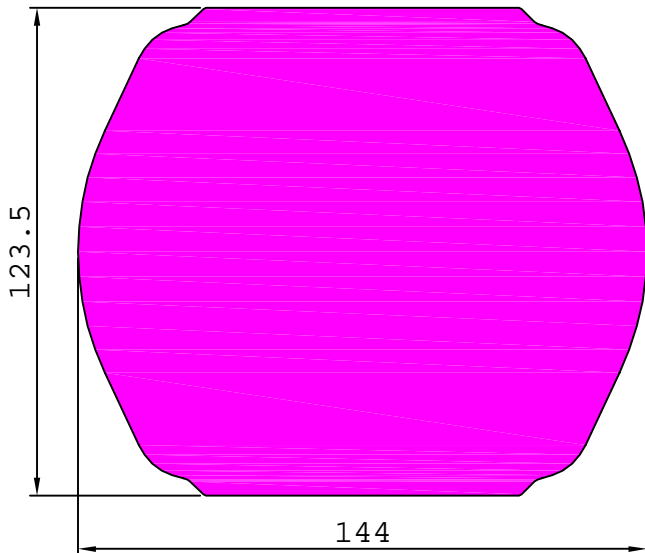
27150 23.666 kg/m



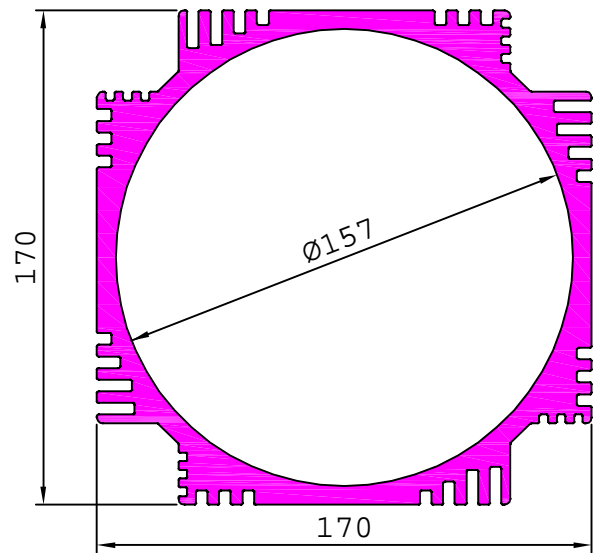
G100001 21.854 kg/m



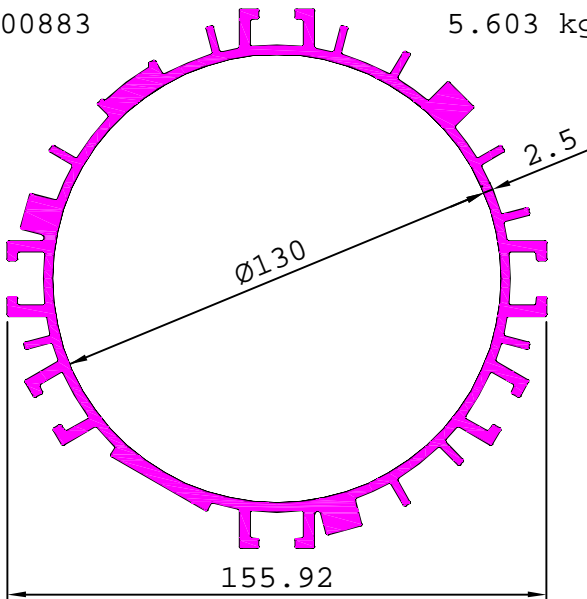
G100431 41.920 kg/m



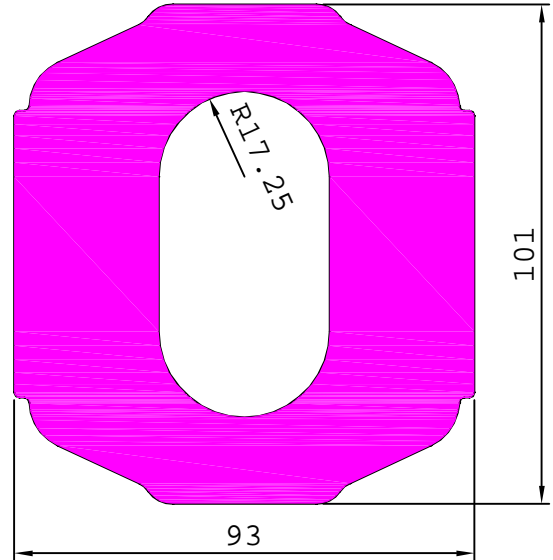
G100637 14.958 kg/m



G100883 5.603 kg/m

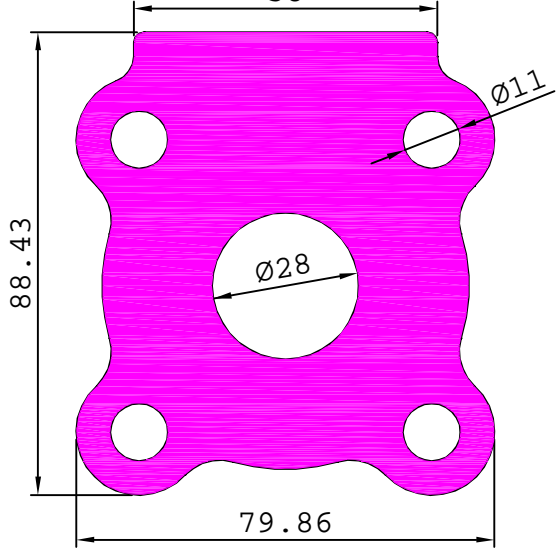


G100910 16.798 kg/m

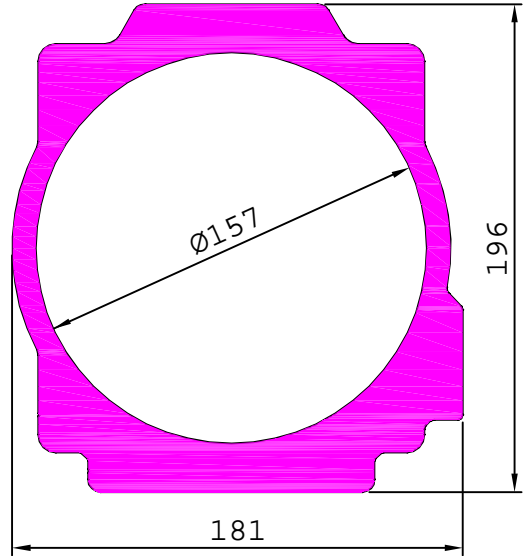


PUMP BODY AND ACTUATOR BODY

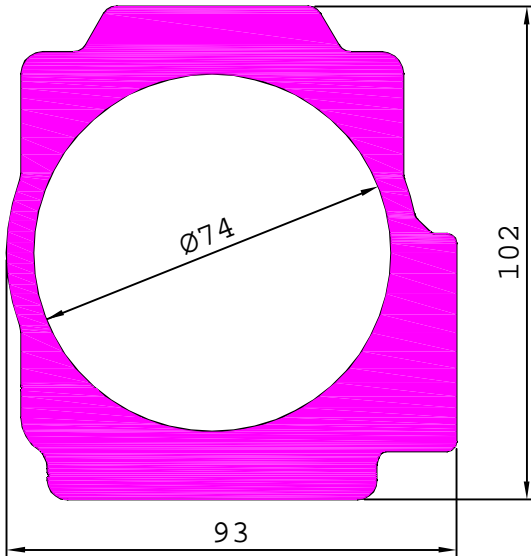
G100909 58 13.606 kg/m



G101036 29.831 kg/m

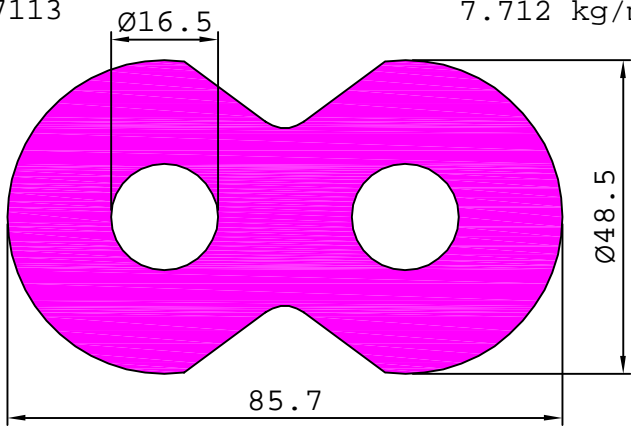


G101037 10.578 kg/m

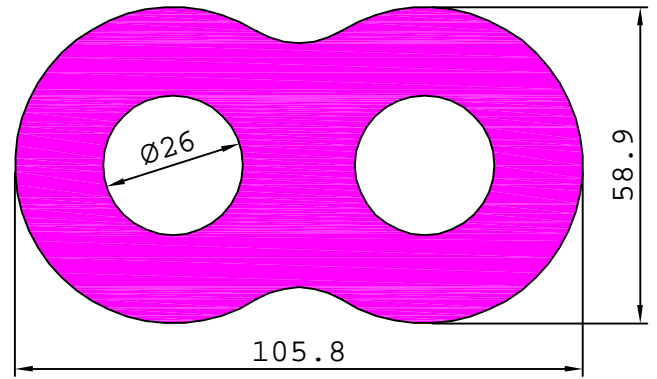


PUMP BODY AND ACTUATOR BODY

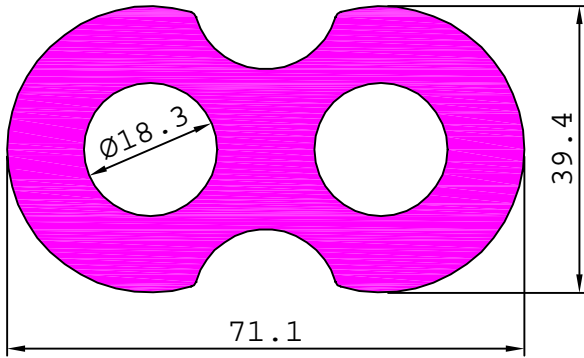
27113 7.712 kg/m



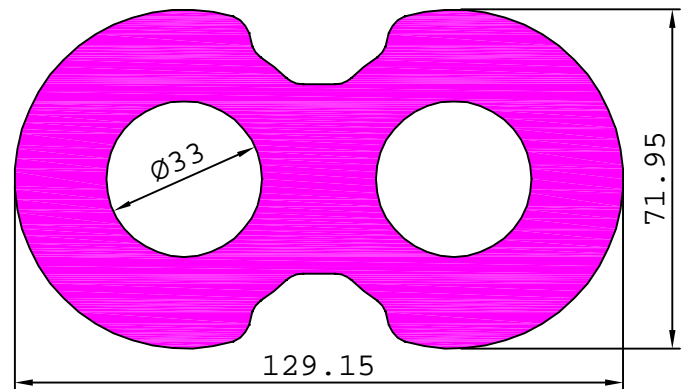
27137 11.199 kg/m



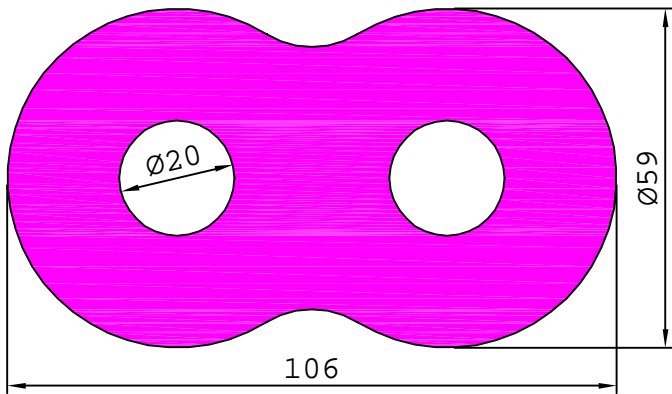
27138 4.515 kg/m



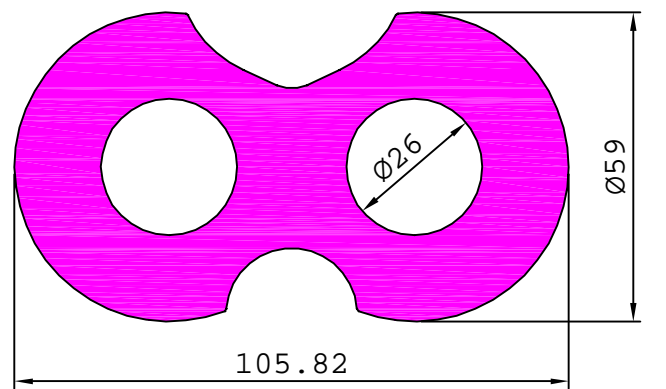
27139 15.202 kg/m



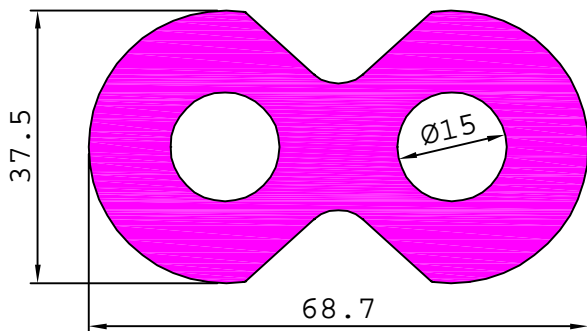
27141 12.419 kg/m



27836 10.120 kg/m



28010 4.374 kg/m



28011 2.297 kg/m

